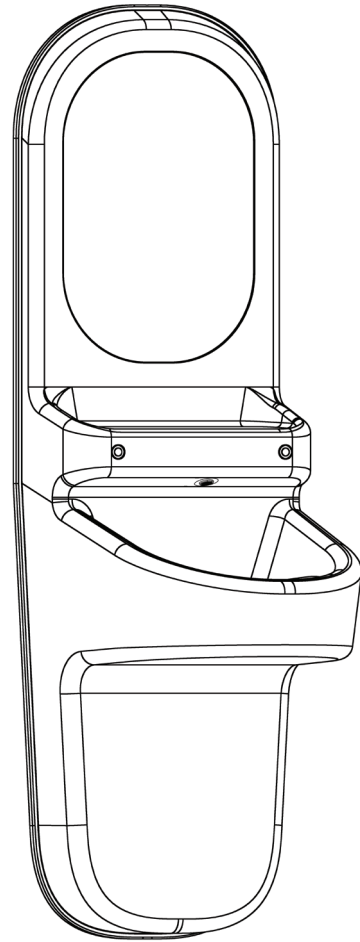




ARC BASIN ACCESSIBLE (UK & EU ONLY)

→ USER MANUAL

→ The Arc basin range is pre-fitted with 15 millimeters [0.6] hot and cold inlets to the tap and a universal flexible drainage outlet.



WARNING: Read this document prior to installation.

- Collect the required equipment prior to installation.
- At least 2 x people are required to complete installation.
- Wear gloves when handling basin to avoid marking.
- Installation and commissioning should only be carried out by authorised and qualified personnel.
- **Qualified Electrician and Plumber required.**

Version 3.8 release date: 05/02/2026



+44 (0)1622 237830

sales@pineapplecontracts.com

Pineapple

LANGUAGES



→ English (UK)

_____ 1



→ Nederlands

_____ 21



→ Français

_____ 40



→ Deutsch

_____ 59



→ Italiano

_____ 78

CONTENTS

→ Disclaimer	_____	3
→ Technical Drawings	_____	4
→ Kit of Parts	_____	5
→ Required Equipment	_____	5
→ Pre-Installation	_____	6
→ Installation guide	_____	7
→ First Use	_____	17
→ Warranty	_____	17
→ Remote instructions	_____	18
→ Cleaning	_____	19
→ Notes	_____	20

DISCLAIMER

Every effort has been made to supply information within this manual which is correct. This manual is specific to the product that it has been supplied with at the date of supply.

Pineapple Contracts reserves the right to alter, update or improve its product specification and/or user manual at any time without prior notice. Pineapple Contracts will not be liable for any damage or loss that arises if the person installing, operating or maintaining the unit has not read or complied with the manual.

For full warranty information, please see Warranty section on page 18 of this manual.

→ Proper Installation:

The installation of the basin as specified in this user manual should be carried out by authorised & qualified professionals as necessary (Qualified electrician & plumber required).

Follow all installation instructions provided in this manual.

Do not modify or tamper with the installation method or structure.

→ Safe Use & Handling:

Operate the product within specified power and environmental conditions.

Follow appropriate manual handling guidelines during installation of the basin.

→ Maintenance:

Regularly inspect for damage or wear and carry out routine cleaning as recommended.

Do not attempt unauthorised repairs or disassemble the unit beyond the scope of this manual.

Use only compatible accessories and cleaning products.

→ Environmental Responsibility:

Dispose of the product, packaging, electronics, and coatings responsibly, in compliance with all applicable UK and EU legislative and regulatory requirements.

Make use of provided recycling and disposal information.

→ Warranty Conditions:

Understand that failure to comply with user responsibilities may void the warranty.

Keep a record of purchase and installation for warranty claims.

→ Reporting Issues:

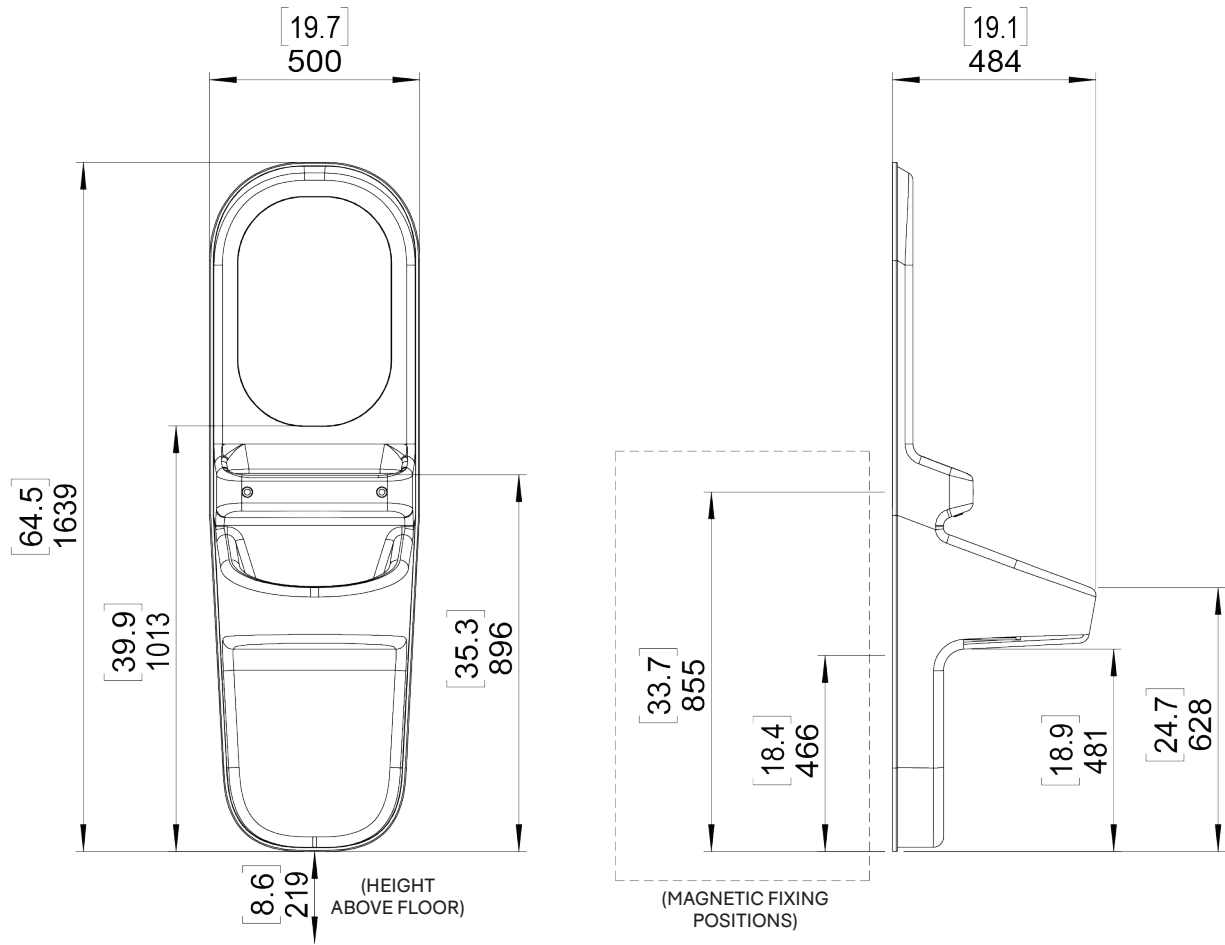
Report any safety or operational issues immediately to the manufacturer or supplier.

→ Manual images:

Please note: the images in this manual are for illustrative purposes only and may not depict the exact model referenced.

TECHNICAL DRAWINGS

Arc basin (Accessible)



[] = Inches

= Millimetre

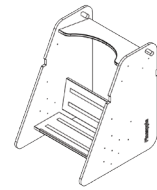
KIT OF PARTS



Basin
(Accessible)



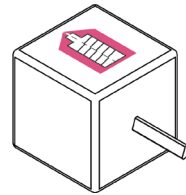
Wall template



Basin stand
(Assembled)*

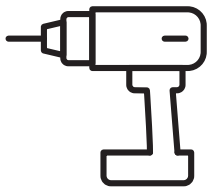


Remote*



Invis Mx2 MiniMag
drill attachment*

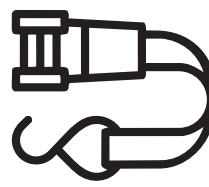
REQUIRED EQUIPMENT



Cordless drill



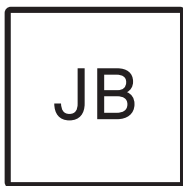
Gloves



Ratchet strap



Ladder



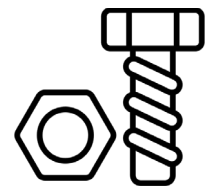
Junction box
(Pre-installed)



Level



T40 tamper-proof
key



Suitable wall
hardware

*1 x supplied per order

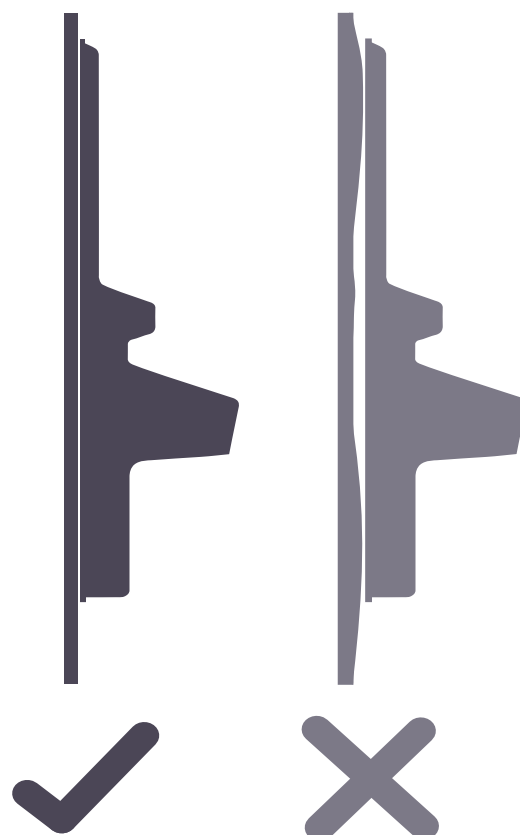
PRE-INSTALLATION

WALL REQUIREMENTS

- Walls must be level and flat, with a secure material to fix to.
- Care must be taken to ensure that the wall load bearing capacity is suitably rated for the Arc basin model to be installed.
- Ensure suitable fixings are used for fixing product to wall (not supplied).
- If required, please reinforce the wall prior to installation.

Product weight -

Arc basin (Accessible): **64.5 kg**

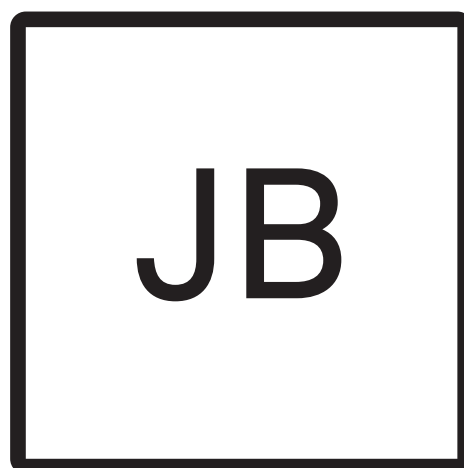


JUNCTION BOX INSTALLATION

Ensure all electrical sources are disconnected and isolated prior to beginning installation.

A recessed junction box must then be installed to the wall.

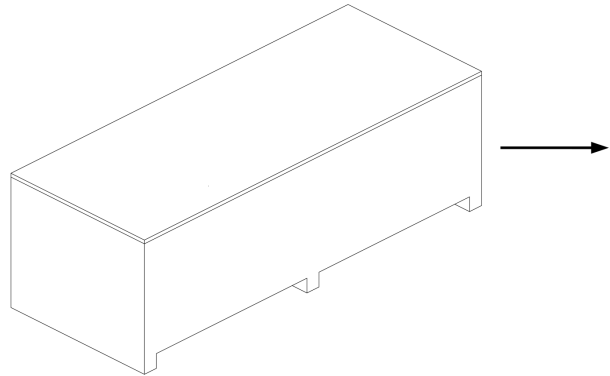
Install this 1170mm above the floor, in line with 100mm [3.94"] electric hole marked (⚡).



ARC BASIN → INSTALLATION GUIDE

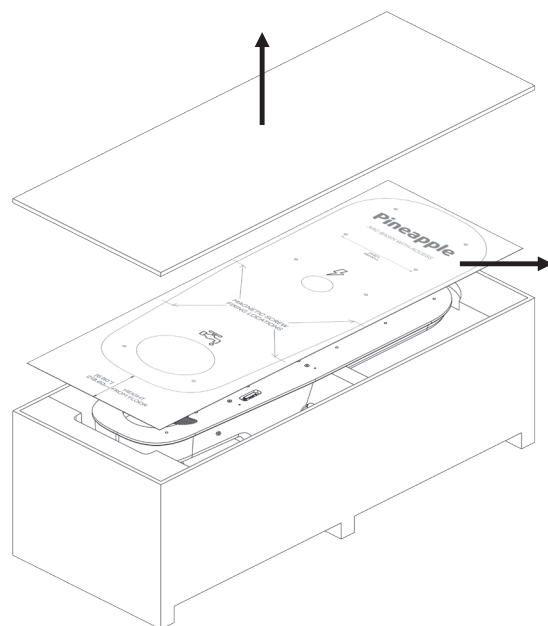
01

Bring transit crate as close as possible to installation area before beginning installation.



02

Remove lid to retrieve wall template.



ARC BASIN → INSTALLATION GUIDE

03

Fix the included wall template to the wall, at the desired installation point.

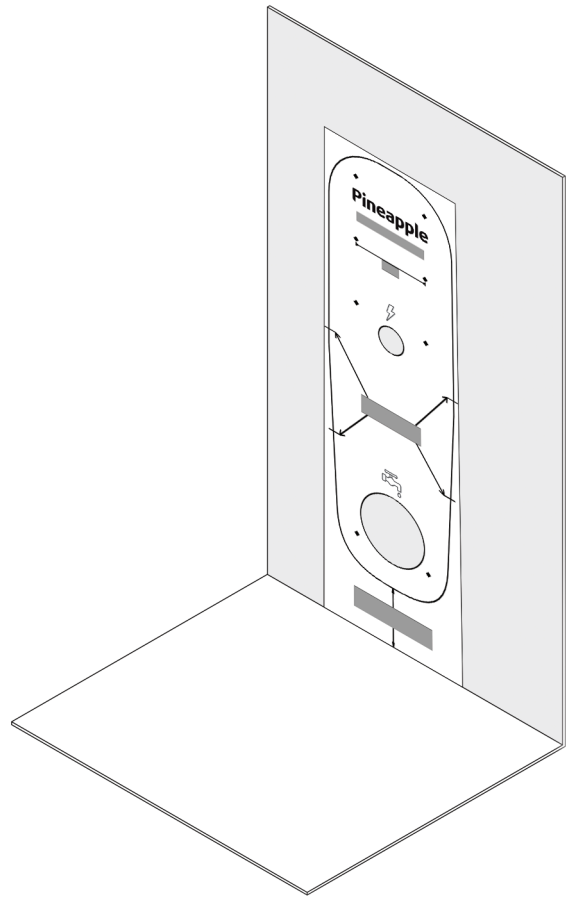
Ensure basin outline is at the correct height.

Mark the 8 wall-fixing holes. (⊕).

Mark the 100mm [3.94"] electric hole (⚡). Ensure it aligns with pre-installed junction box.

Mark the 250mm [9.84"] water inlet/outlet hole on wall (⚙️).

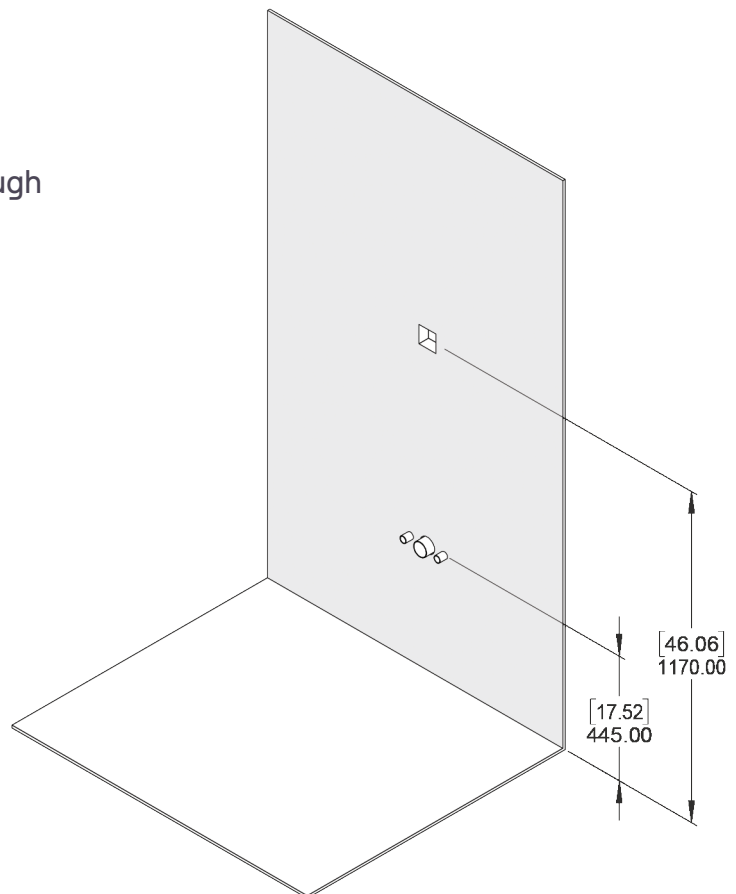
Mark magnetic screw locations for later reference (suggestion: low-tack tape). Remove template from wall.



04

Route electrical connections through junction box marked (⚡).

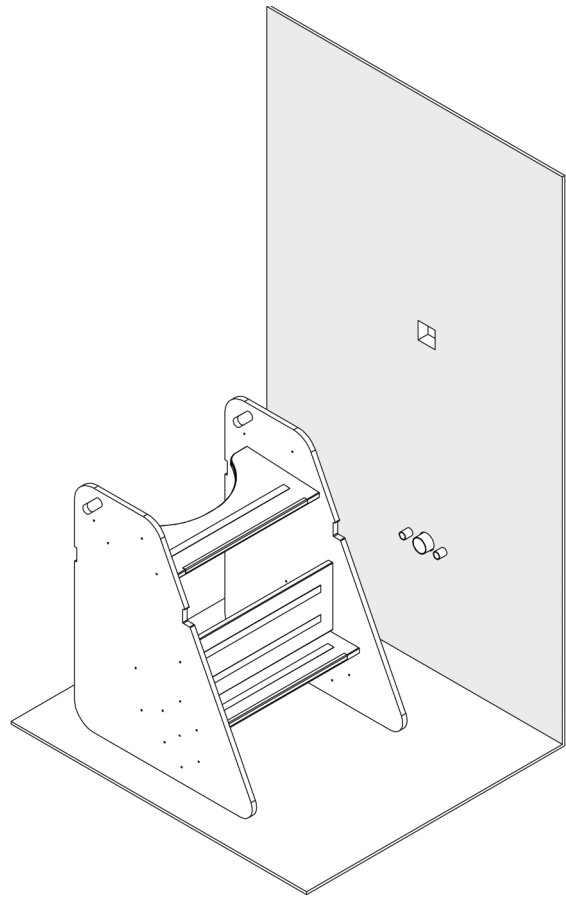
Bring the hot + cold inlets and wastage outlet to the hole marked (⚙️).



ARC BASIN → INSTALLATION GUIDE

05

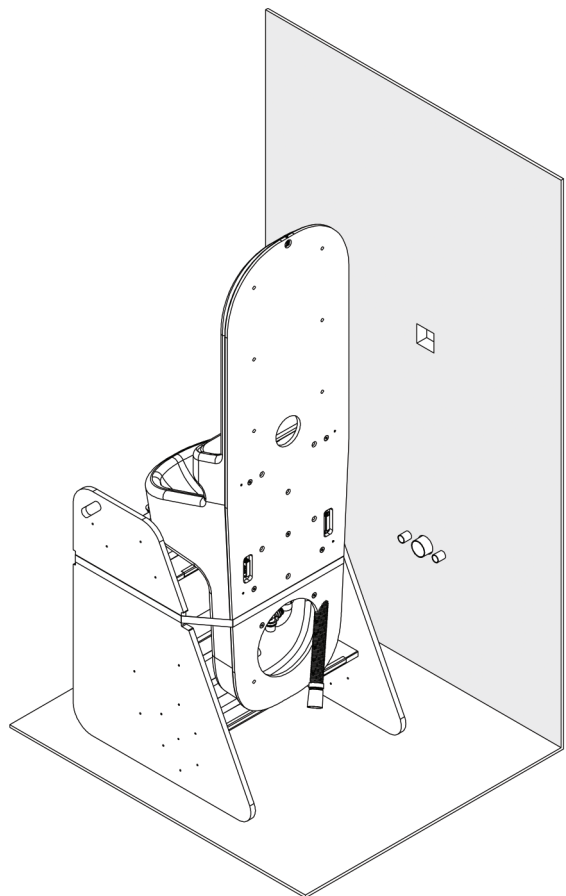
Bring basin stand to installation area as indicated.



06

Remove basin from packaging, place on stand as indicated. Use at least 2 people, and appropriate manual handling procedure.

Attach ratchet strap as indicated to secure basin.

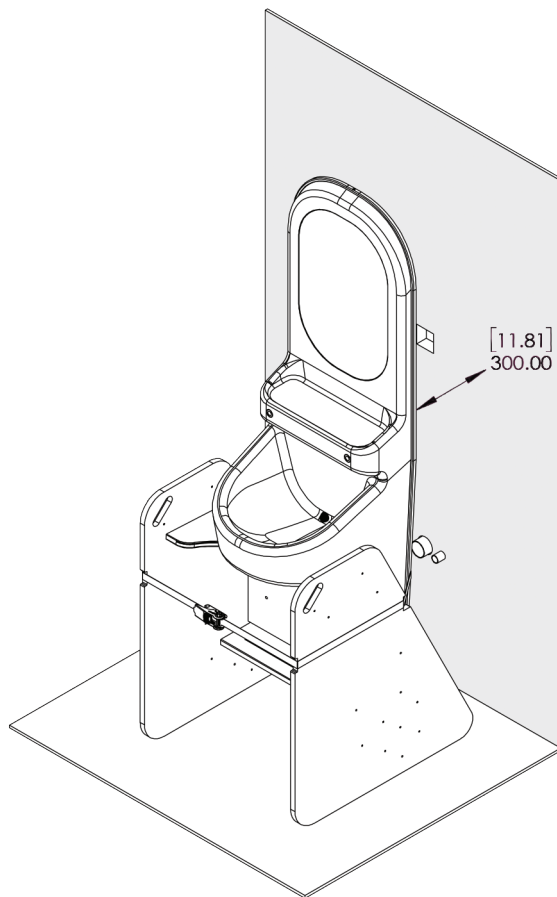


ARC BASIN → INSTALLATION GUIDE

07

Re-position stand so the backplate of the basin is 300mm [11.81"] away from the wall. Ensure the pre-installed junction box aligns centrally with the basin.

The pedestal will raise the basin 219mm [8.6"] above floor.

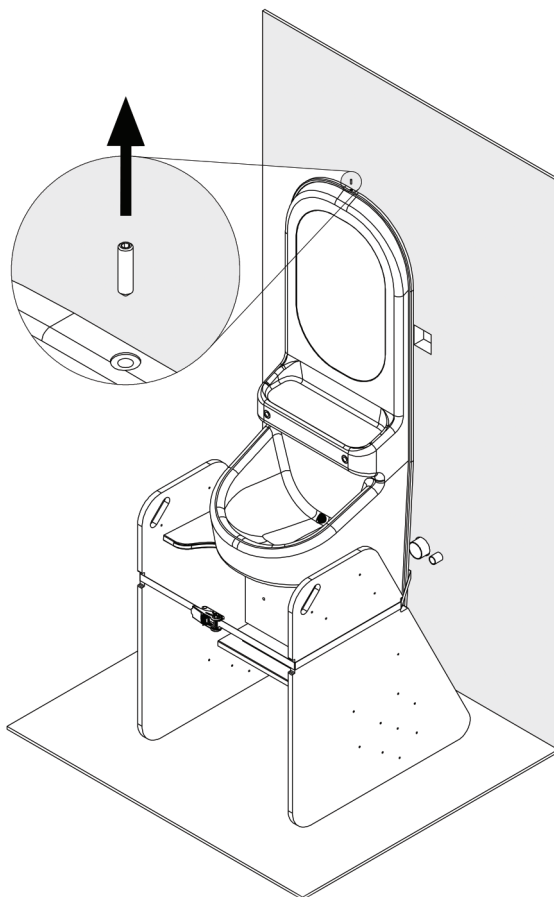


08

Unscrew socket screw from the top of the basin as indicated in diagram using a T40 key. Remove ratchet strap in preparation for next step.



WARNING - When the basin is not secured with a ratchet strap, there is an increased risk of toppling. Take extra precautions for steps marked with this symbol (left).



ARC BASIN → INSTALLATION GUIDE

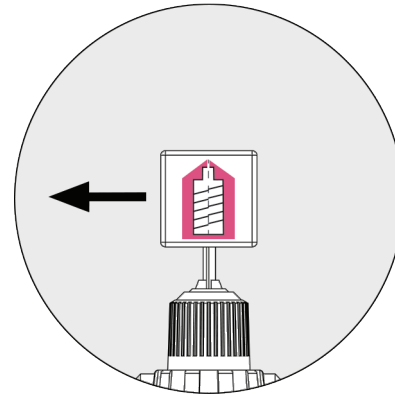
09

Attach **Invis Mx2 MiniMag drill attachment** into cordless drill, and set in **reverse**, as shown in diagram **A**.

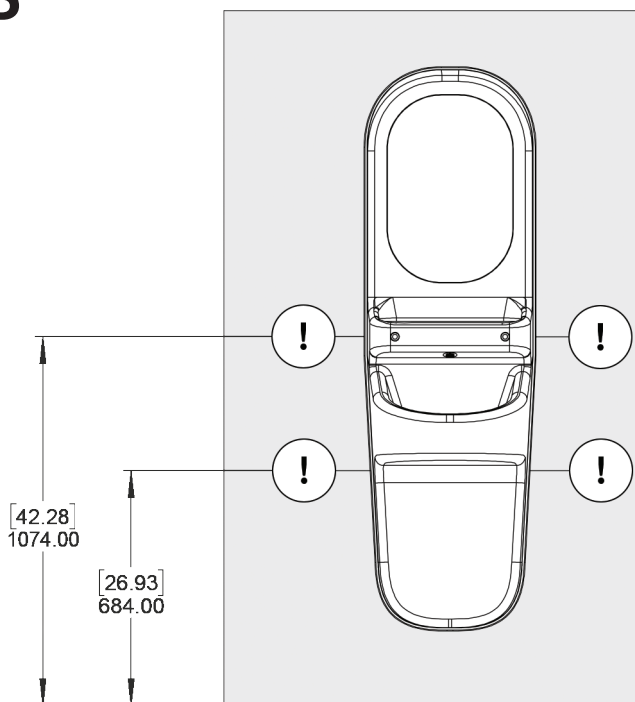
Note the 4x invisible screw locations indicated on diagram **B**, reference from the wall template, or from previous wall markings.

At the 4 x locations mentioned, place attachment parallel as indicated in diagram **C** and run drill at high speed for 10-20 seconds to unlock. Once all 4 magnetic screws are unlocked, you will be able to slide the backplate from basin.

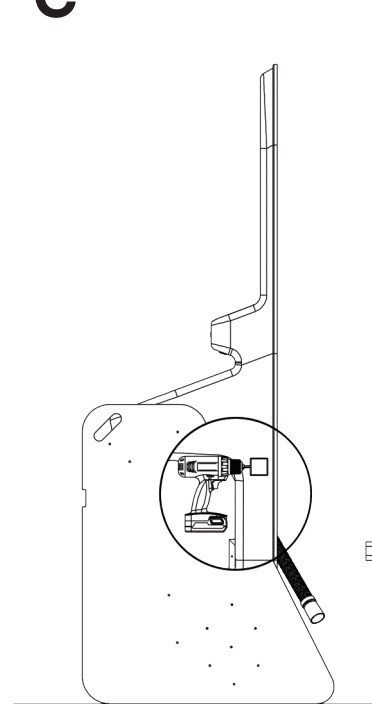
A



B



C



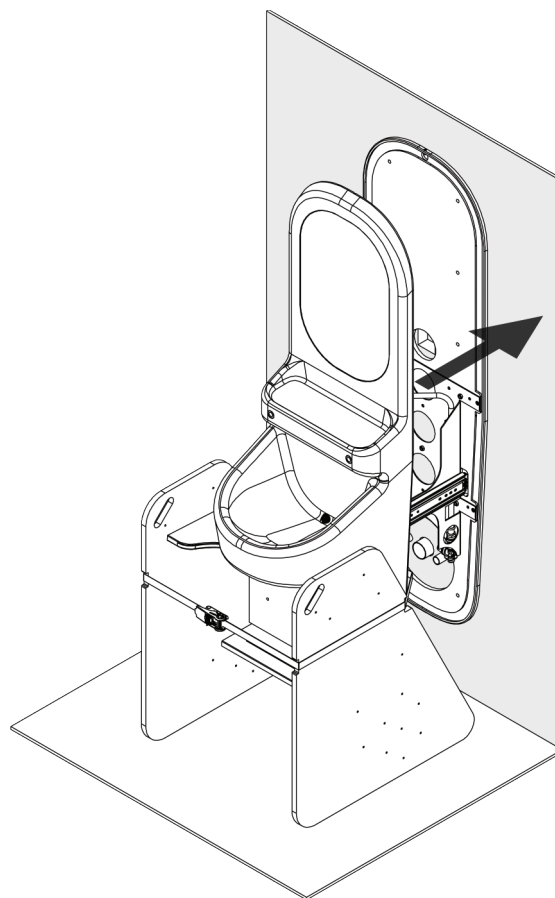
ARC BASIN → INSTALLATION GUIDE

10

Slide the backboard out towards wall into its fully extended position.

Ensure the backplate is level horizontally, vertically and is flat against the wall.

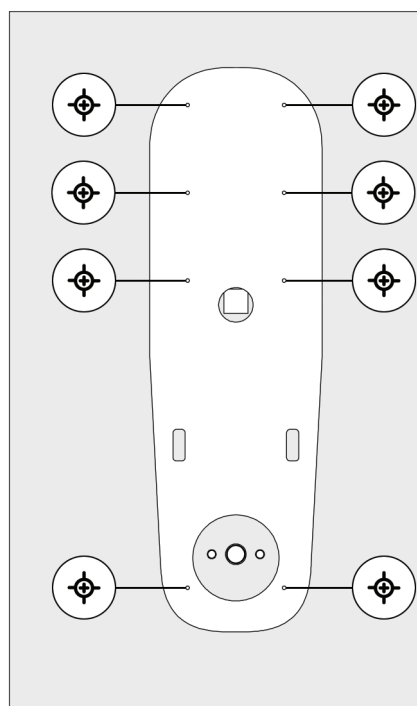
(Please note the backplate does not separate from the basin completely. It will extend a maximum of $300 \pm 20\text{mm}$ [11.81 ± 0.1"].



11

Securely fit the backboard to the wall at the 8 points marked (⊕), using suitable fixings not included).

The backplate must be level and flat to the wall. Use packers if required.



ARC BASIN → INSTALLATION GUIDE

12

! - Take this moment to ensure the basin is correctly fitted to the wall.

When closed and locked, the basin must be located in the groove of the backplate and fixed solidly back.

The backplate must be fitted flush to the wall.

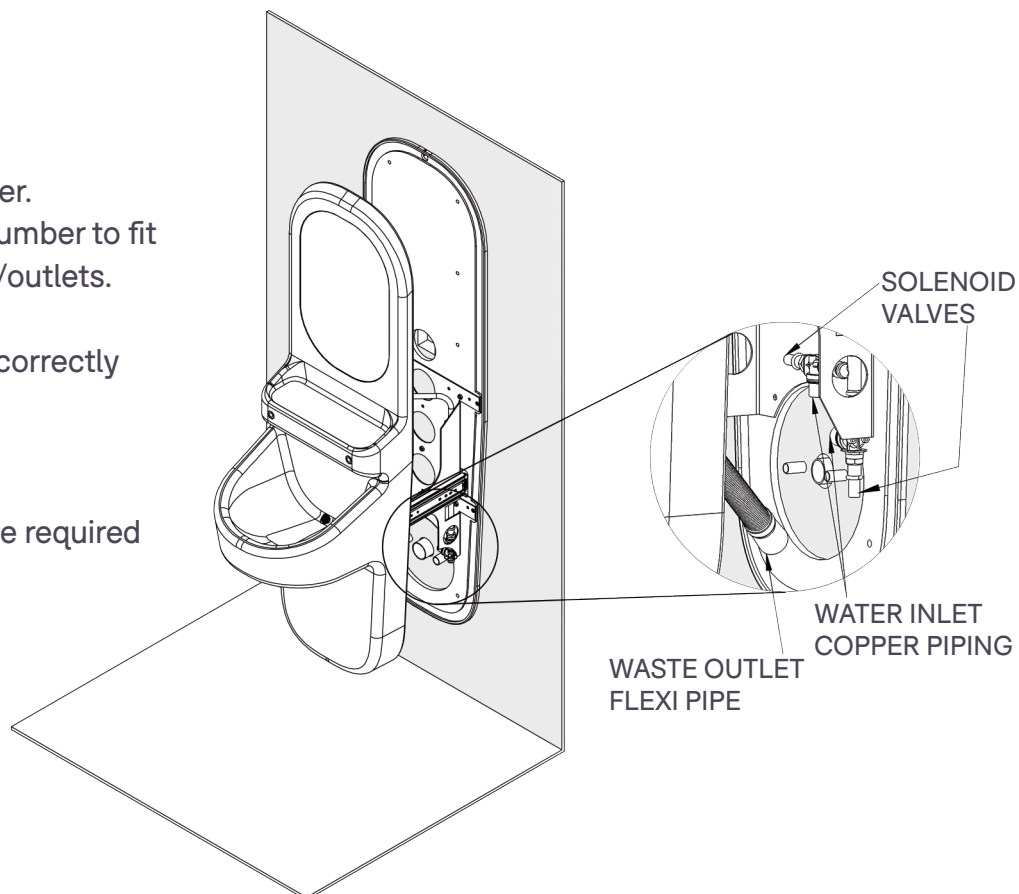


13

Disconnect water.
Use qualified plumber to fit
the water inlets/outlets.

(If not installed correctly
warranty will be
invalidated).

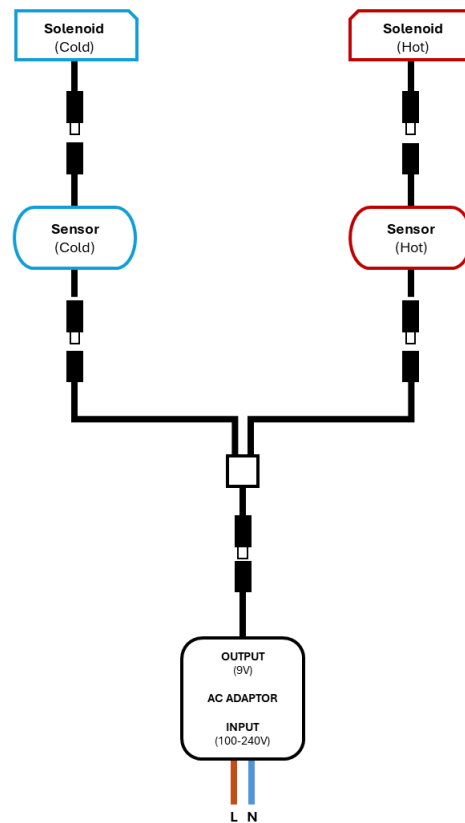
Adaptors may be required
to fit plumbing.



14

Ensure electricity supply is disconnected.
Refer to wiring diagram and ensure a qualified electrician connects the electrical connections.

Blue = Cold
Red = Hot



15

Turn on water and ensure that all connections are watertight, and basin functions as intended.

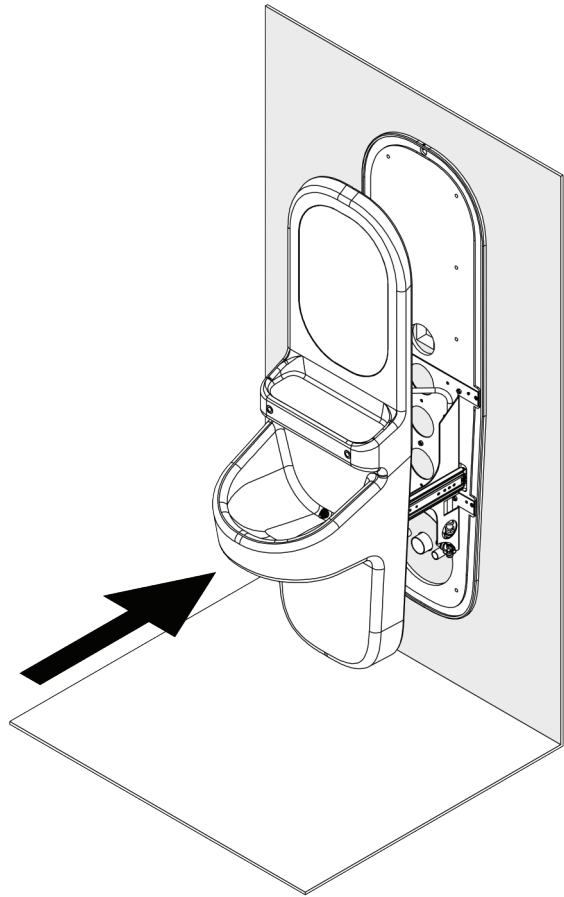


NO LEAKAGE

ARC BASIN → INSTALLATION GUIDE

16

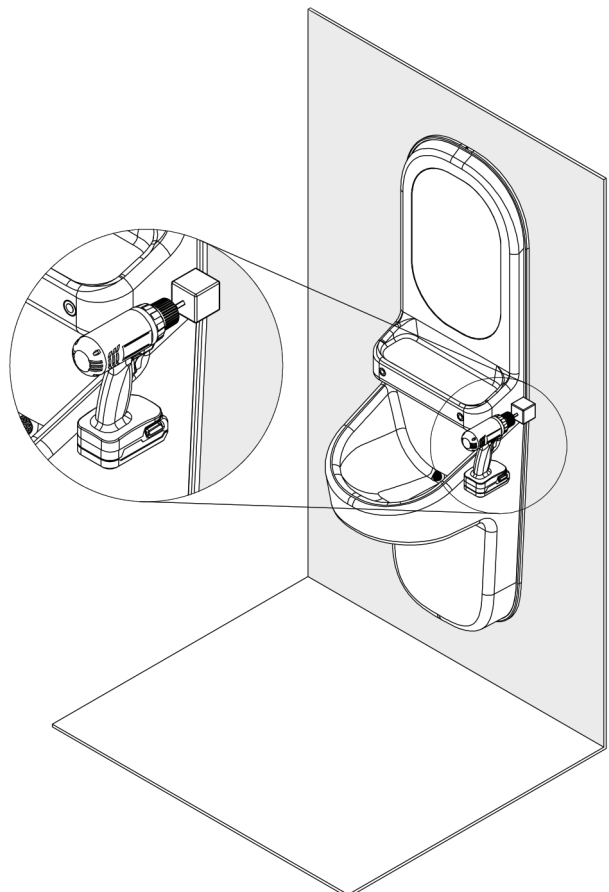
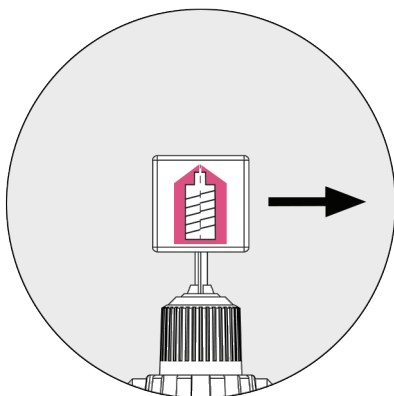
Remove the pedestal from beneath the unit, then slide the basin unit backward towards wall until shut.



17

Repeat step 9, keeping the drill in **forwards**, now orienting drill attachment as indicated.

Lock basin at previously referenced 4 x invisible screw locations. All 4 x screws must be locked securely.

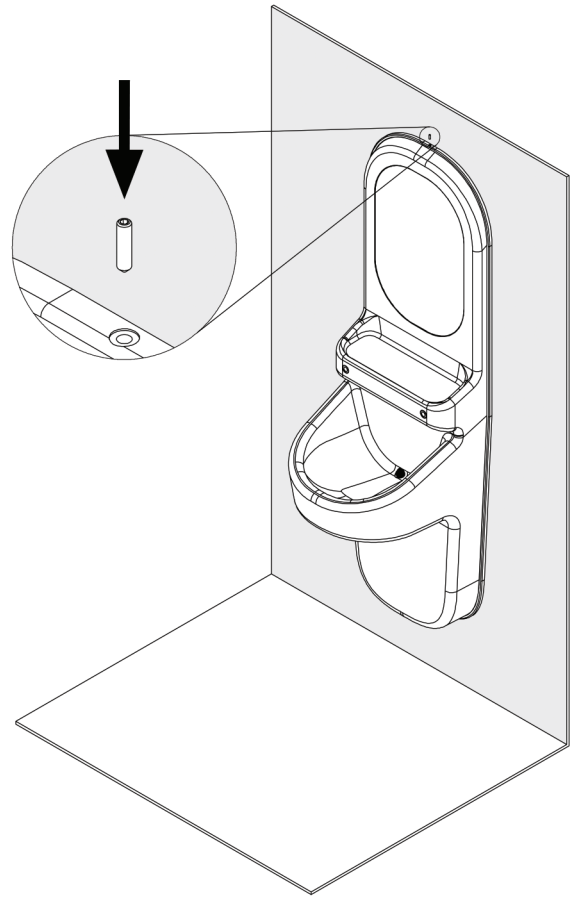


ARC BASIN → INSTALLATION GUIDE

18

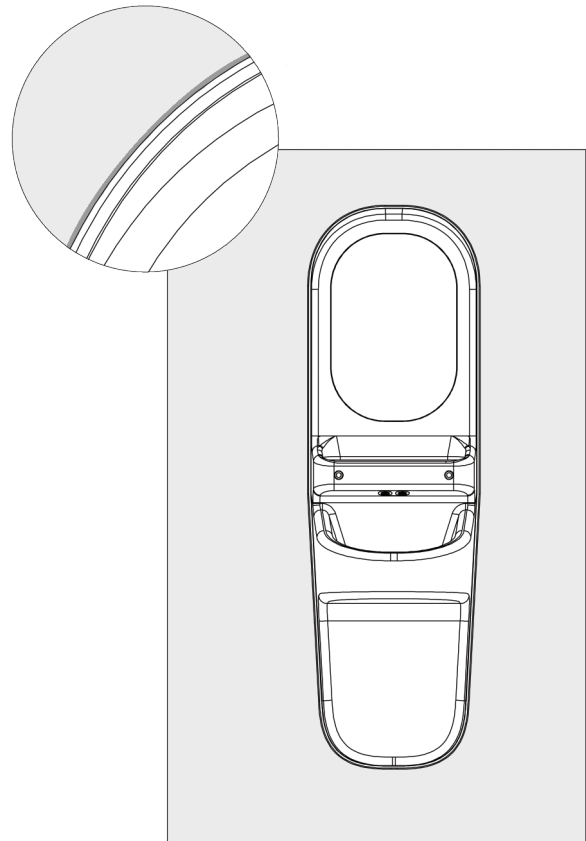
Use an T40 tamper-proof key to re-insert socket screw from the top of the basin as indicated in diagram.

WARNING - Possible ligature hazard. Screw must not protrude from basin surface. It must sit fully recessed.



19

Apply non-pick mastic around edges, ensuring there are no gaps between backplate and wall.



FIRST USE

Water will be delivered automatically when the user places a hand within a close distance of the sensor eye. A factory default flow cycle of 8 seconds will be completed.

Please note: the system allows stopping the water flow before the default flow time has passed by placing a hand within a close distance of the sensor eye again.

To make adjustments to basin flow settings, refer to remote control settings.

If you have any issues with installation or setup, please contact your Pineapple representative.

WARRANTY

7-Year Limited Warranty – Sink Body

We offer a 7-year limited warranty against manufacturing defects in materials and workmanship on the sink body. This warranty covers issues arising from normal use, provided the product is properly installed, used, and maintained in accordance with our care instructions.

2-Year Limited Warranty – Electronics

All electronic components included with the sink (e.g., sensors, LED indicators, control units) are covered by a 2-year limited warranty against manufacturing defects from the date of purchase.

Exclusions and Limitations

This warranty does not cover damage caused by:

Improper installation or maintenance

Accidents, misuse, abuse, or neglect

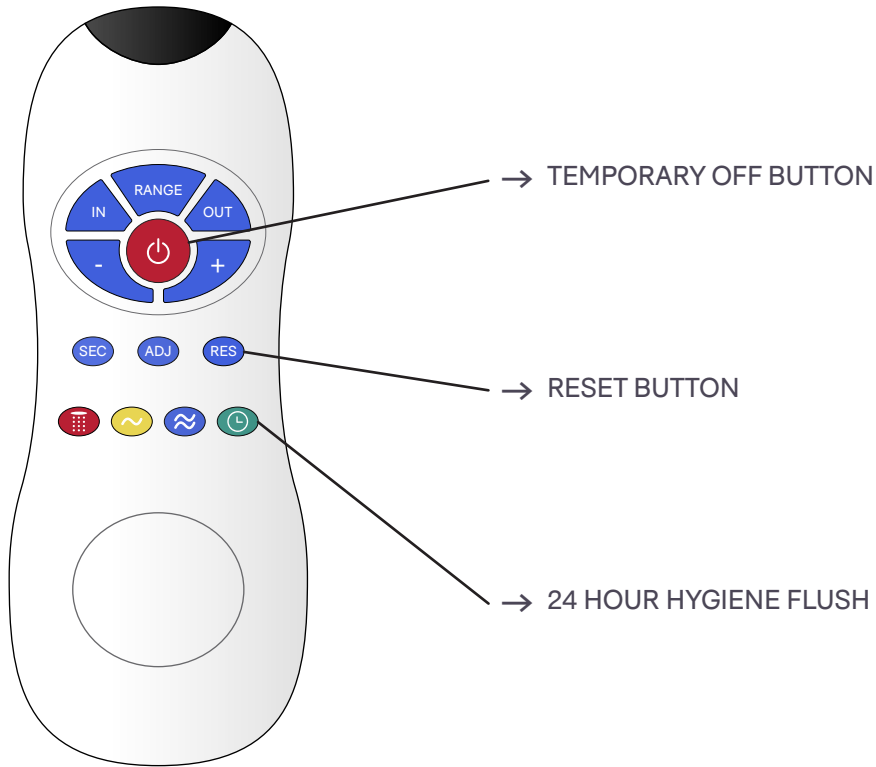
Normal wear and tear, scratches, or surface damage due to cleaning chemicals or abrasive materials

Modifications or repairs made by unauthorized service providers

This warranty is non-transferable and applies only to the original purchaser.

REMOTE INSTRUCTIONS

Through the remote control, custom settings are available for easy maintenance.



→ 24 HOUR HYGIENE FLUSH

This function is ideal to maximize hygiene and prevent Legionella and other diseases. It also helps to prevent pipes from freezing, keeping the water moving through the pipes every twenty-four hours. To activate or deactivate the hygiene flush, press the clock button. Wait until a quick flashing of the red light of the sensor eye is perceived. Then press + to activate the hygiene flush or – to deactivate it.



→ TEMPORARY OFF BUTTON

This function is ideal to perform any kind of activity in front of the sensor without operating the system (for example, cleaning). Faucets and flush valves will remain shut for one minute when this button is pressed once.

To cancel this function and to return to normal operation press the on/off button again or wait one minute.



→ RESET BUTTON

This function allows the sensor to return to the original factory preset settings.

CLEANING INSTRUCTIONS

→ Daily Cleaning:

For everyday cleaning to remove dust, light marks, and daily grime:

Use soapy water, a mild detergent, or an ammonia-based cleaner.

Soapy water solution: Mix 1 drop of dish soap in 1 litre of warm water.

Ammonia-based cleaners: Always follow the manufacturer's instructions.

Apply the cleaning solution using a microfibre cloth. This helps clean thoroughly without scratching the surface or dulling its finish.



→ Stain Removal:

For tougher marks and stains, use the following methods based on the type of stain:

Large or stubborn stains:

1. Mix 10 ml of chlorine bleach with 1 litre of water.
2. Wipe the surface using a microfibre cloth dampened with the bleach solution.
3. Follow with a wipe-down using warm water and a clean microfibre cloth.
4. Dry the area with a paper towel or microfibre cloth.

General stains:

Use a Clorox wipe to clean the affected area.

Heat-related stains (e.g., from hair straighteners):

Minor marks may be buffed out by Pineapple Contracts staff (note: this may incur an additional cost).

To prevent heat damage, avoid placing hot items directly on the surface.

Ink or pen stains:

1. Apply 5 ml of hand sanitizer or isopropyl alcohol to the ink mark.
2. Gently rub with a microfibre cloth, then wipe away with a tissue.
3. If needed, follow up with a soapy water or bleach solution clean (depending on the stains size).

→ Monthly Deep Cleaning:

Deep cleaning is recommended best practice once a month to maintain hygiene and prevent odour build-up:

1. Mix 10 ml of chlorine bleach with 10 litres of water.
2. Soak a microfibre cloth in the solution and wipe down the entire sink, leaving the surface wet.
3. Let the solution sit for 10–15 minutes.
4. Wipe the sink dry with a clean cloth.
5. Wash the sink with warm soapy water using a kitchen sponge.
6. Finish by drying the sink with a clean, dry cloth.

→ Important Warnings: What to Avoid

Do not allow harsh chemicals (e.g., strong acids, strong bases, paint thinners, mineral spirits) to sit on any surfaces.

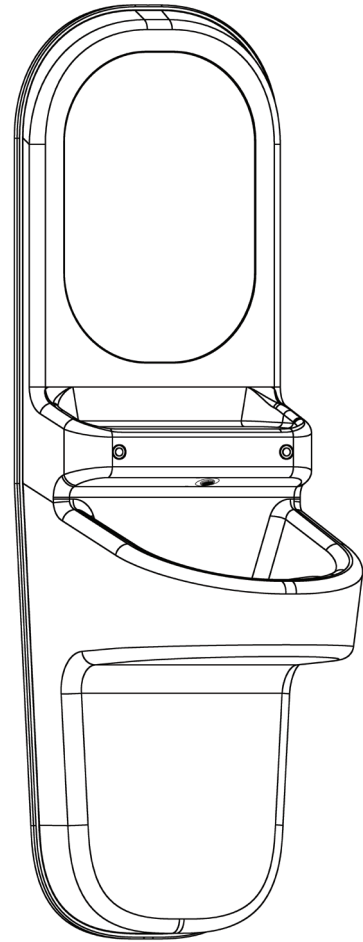
Avoid spilling acetone-based nail polish remover on bathroom counter-tops.

If such chemicals come into contact with the surface:

1. Immediately clean with soapy water and a cloth.
2. If residue remains, follow the stain removal instructions provided above.
3. Finish by wiping the entire surface to ensure no chemical traces remain.



ARC BASIN ROLSTOEL TOEGANKELIJK (ALLEEN VOOR VK & EU) → HANDLEIDING



→ De Arc-wasstafel is voorgesamonteerd met 15 millimeter [0.6] warme en koude aansluitingen naar de kraan en een universele flexibele afvoeruitlaat.



WAARSCHUWING: Lees dit document vóór de installatie.

- Verzamel de benodigde apparatuur vóór de installatie.
- Er zijn minimaal 2 personen nodig om de installatie te voltooien.
- Draag handschoenen bij het hanteren van de wasbak om vlekken of beschadigingen te voorkomen.
- De installatie en inbedrijfstelling mogen uitsluitend worden uitgevoerd door bevoegd en gekwalificeerd personeel.
- **Gekwalificeerde elektriciens en loodgieter vereist.**

Versie 3.8 releasedatum: 05/02/26



+44 (0)1622 237830

sales@pineapplecontracts.com

Pineapple

INHOUD

→ Disclaimer	_____	23
→ Technische tekeningen	_____	24
→ Set met onderdelen	_____	25
→ Vereist materiaal	_____	25
→ Voorinstallatie	_____	26
→ Installatiehandleiding	_____	27
→ Eerste gebruik	_____	37
→ Garantie	_____	37
→ Instructies op afstand	_____	38
→ Schoonmaak	_____	39
→ Notities	_____	97

DISCLAIMER

Er is alles aan gedaan om ervoor te zorgen dat de informatie in deze handleiding correct is. Deze handleiding is specifiek voor het product waarmee deze is geleverd op de datum van levering.

Pineapple Contracts behoudt zich het recht voor om te allen tijde de productspecificaties en/of gebruikershandleiding te wijzigen, bij te werken of te verbeteren zonder voorafgaande kennisgeving. Pineapple Contracts is niet aansprakelijk voor schade of verlies dat ontstaat wanneer de persoon die het apparaat installeert, bedient of onderhoudt, de handleiding niet heeft gelezen of opgevolgd. Voor volledige informatie over de garantie, zie de sectie Garantie.

→ Correcte installatie:

De installatie van de wastafel zoals beschreven in deze handleiding moet worden uitgevoerd door bevoegd en gekwalificeerd personeel (gekwalificeerde elektriciens en loodgieter vereist).

Volg alle installatie-instructies zoals beschreven in deze handleiding.

Wijzig de installatieprocedure of structuur niet.

→ Veilig gebruik:

Gebruik het product binnen de opgegeven stroom- en omgevingsvoorwaarden.

Volg de juiste richtlijnen voor tillen en hanteren tijdens de installatie van de wastafel.

→ Onderhoud:

Controleer regelmatig op schade of slijtage en voer routine-onderhoud en reiniging uit zoals aanbevolen.

Probeer geen onbevoegde reparaties uit te voeren of het apparaat verder te demonteren dan in deze handleiding beschreven.

Gebruik uitsluitend compatibele accessoires en reinigingsproducten.

Milieuverantwoordelijkheid:

Gooi het product, de verpakking, elektronica en coatings op verantwoorde wijze weg, in overeenstemming met lokale, regionale en/of landelijke regelgeving.

Maak gebruik van de verstrekte informatie over recycling en afvalverwerking.

→ Garantievoorwaarden:

Houd er rekening mee dat het niet naleven van gebruikersverantwoordelijkheden de garantie kan laten vervallen.

Bewaar aankoop- en installatiebewijzen voor eventuele garantieclaims.

→ Problemen melden:

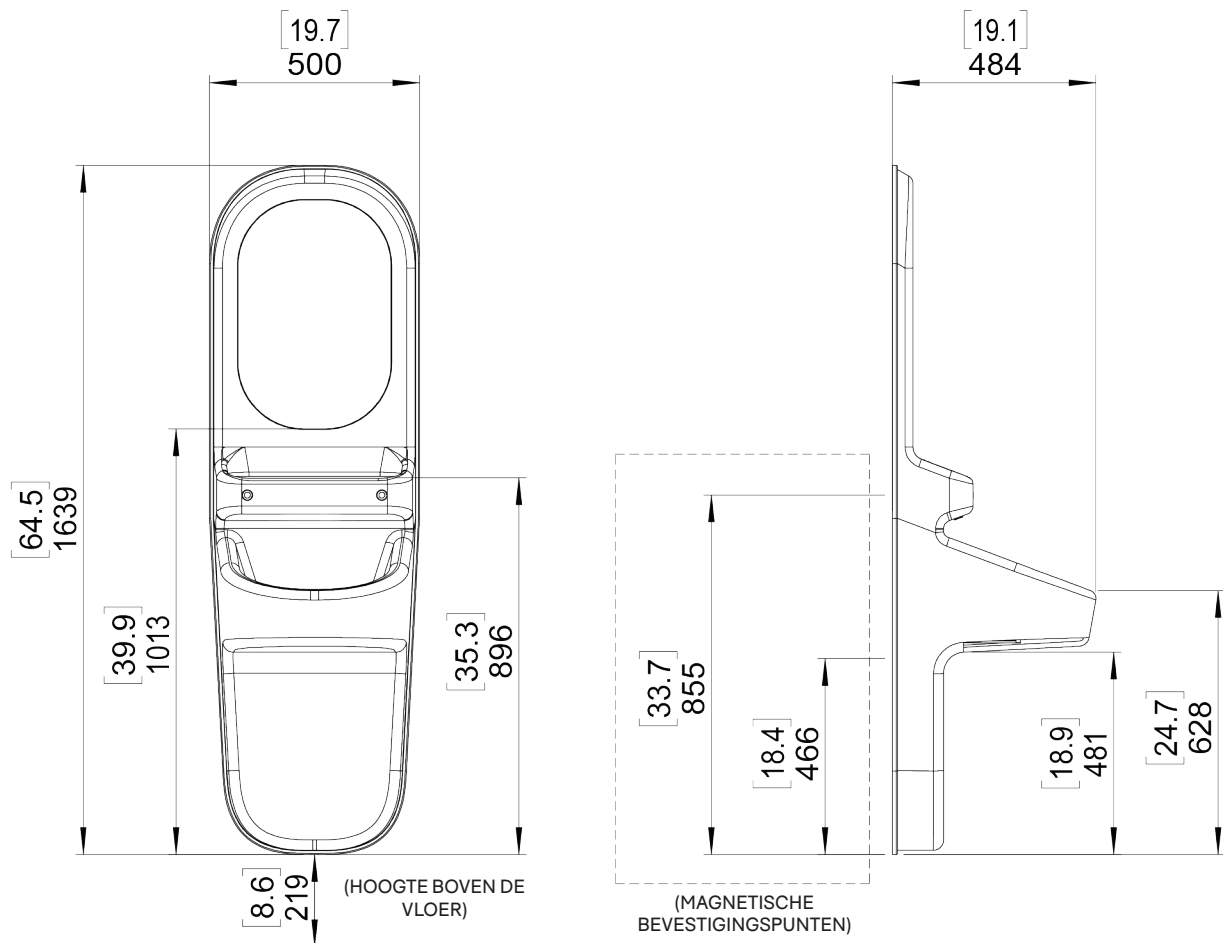
Rapporteer eventuele veiligheids- of operationele problemen onmiddellijk aan de fabrikant of leverancier.

→ Afbeeldingen:

Let op: de afbeeldingen in deze handleiding zijn uitsluitend ter illustratie en kunnen afwijken van het exacte model dat wordt weergegeven.

TECHNISCHE TEKENINGEN

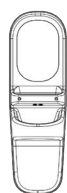
Arc Basin (rolstoel toegankelijk)



[] = Inch

= Millimeter

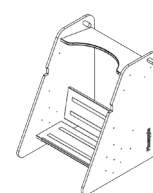
SET VAN ONDERDELEN



Wastafel
(rolstoel toegankelijk)



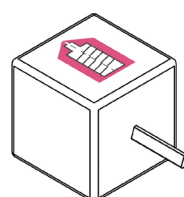
Muursjabloon



Wastafelstandaard
(gemonteerd)*

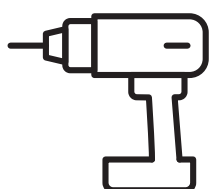


Afstandsbediening*



Invis Mx2 MiniMag
booropzetstuk*

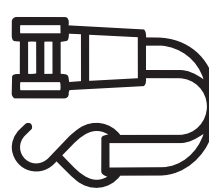
VEREISTE UITRUSTING



Accuboormachine



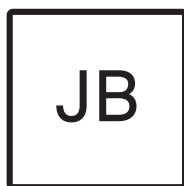
Handschoenen



Spanband



Ladder



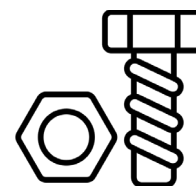
Inbouwdoo
(voorgeïnstalleerd)



Waterpas



T40 sabotagebestendige
sleutel



Geschikte
wandbevestiging

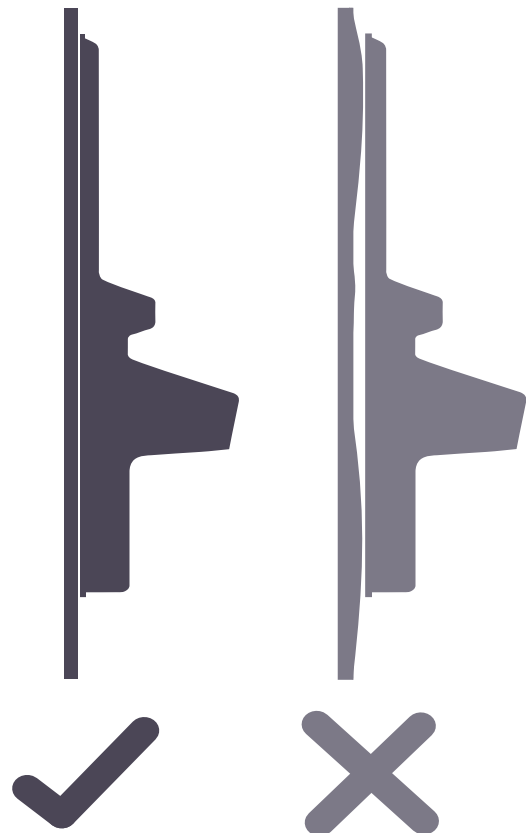
*1 x per bestelling meegeleverd

VOORINSTALLATIE

MUUREISEN

- De muur moet waterpas, vlak en constructief geschikt zijn voor bevestiging.
- Controleer of het draagvermogen van de muur voldoende is voor het gekozen model.
- Zorg ervoor dat het product met geschikte bevestigingsmiddelen aan de muur wordt bevestigd (niet meegeleverd).
- Versterk indien nodig de muur vóór de installatie.

Productgewicht -
Arc-wastafel rolstoel toegankelijk -
64.5 kg

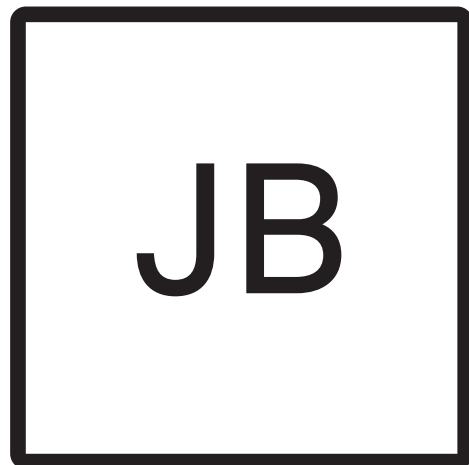


INSTALLATIE VAN DE INBOUWDOOS

Zorg ervoor dat alle elektrische bronnen zijn losgekoppeld en geïsoleerd voordat u met de installatie begint.

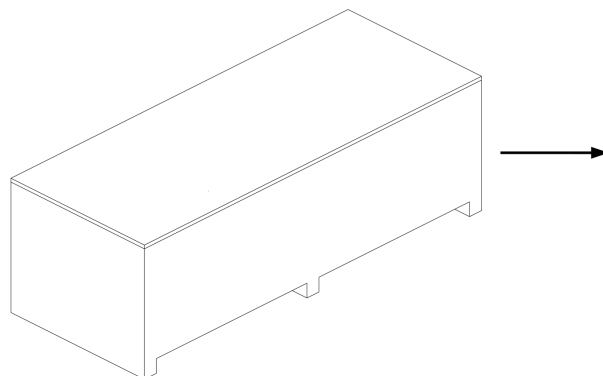
Vervolgens moet er een inbouwdoos in de muur worden geïnstalleerd.

Installeer de inbouwdoos 1170 millimeter boven de vloer, in lijn met het 100 millimeter [3,94"] elektrische gat gemarkeerd met (⚡).



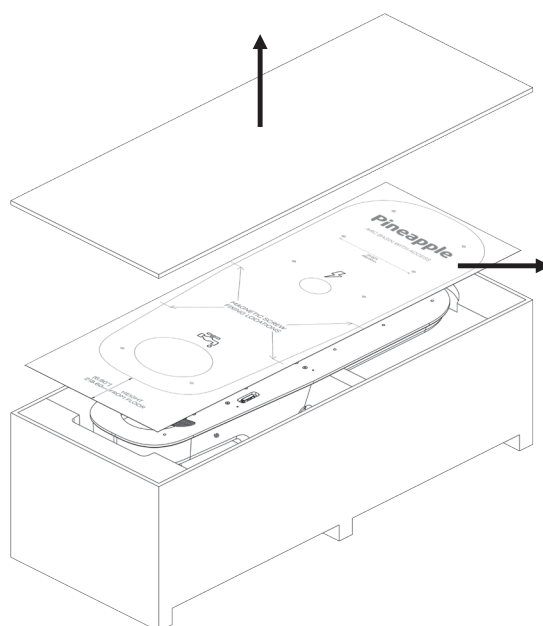
01

Plaats de transportkist zo dicht mogelijk bij de installatieplek voordat u met de installatie begint.



02

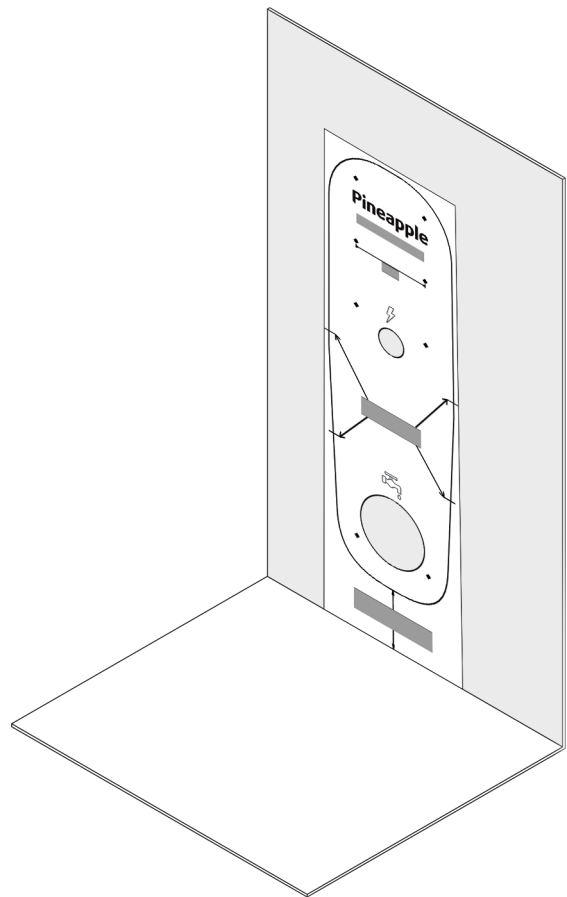
Verwijder het deksel om de muursjabloon te pakken.



ARC-WASTAFELS → INSTALLATIEHANDLEIDING

03

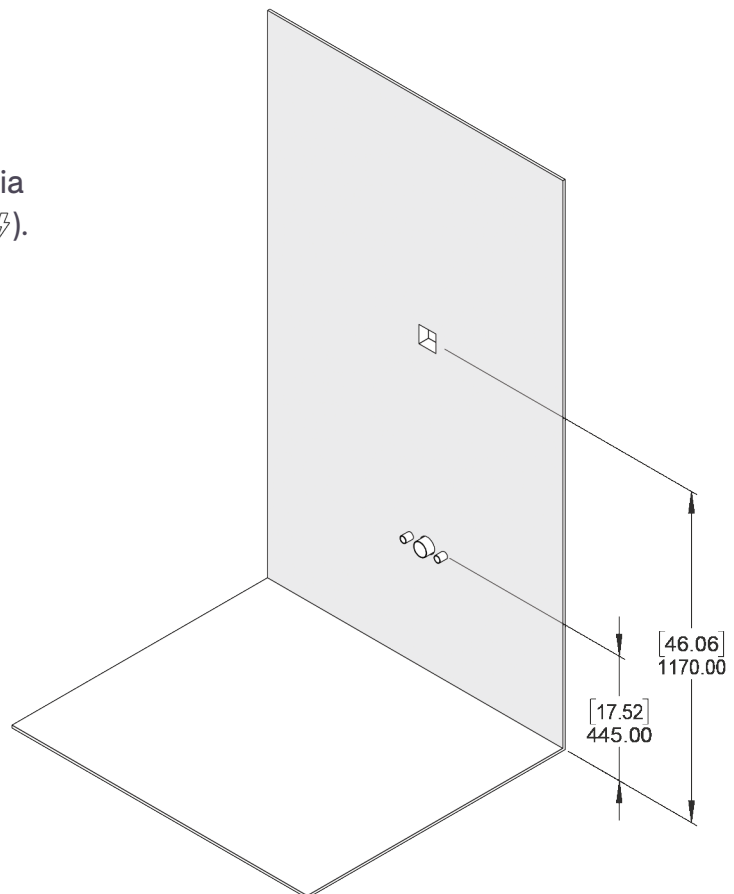
Bevestig het meegeleverde muursjabloon op de gewenste plek aan de muur.
Zorg ervoor dat de omtrek van de bak de juiste hoogte heeft.
Markeer de acht bevestigingsgaten voor de muur. (⊕).
Markeer het elektrische gat van 100 millimeter [3,94] (⚡). Zorg ervoor dat het uitgelijnd is met de vooraf geïnstalleerde inbouwdoos.
Markeer het 250 millimeter [9,84] waterinlaat-/uitlaatgat op de muur (⚙️). Markeer de locaties van de magnetische schroeven voor later gebruik (tip: tape met een lage kleefkracht). Verwijder de sjabloon van de muur.



04

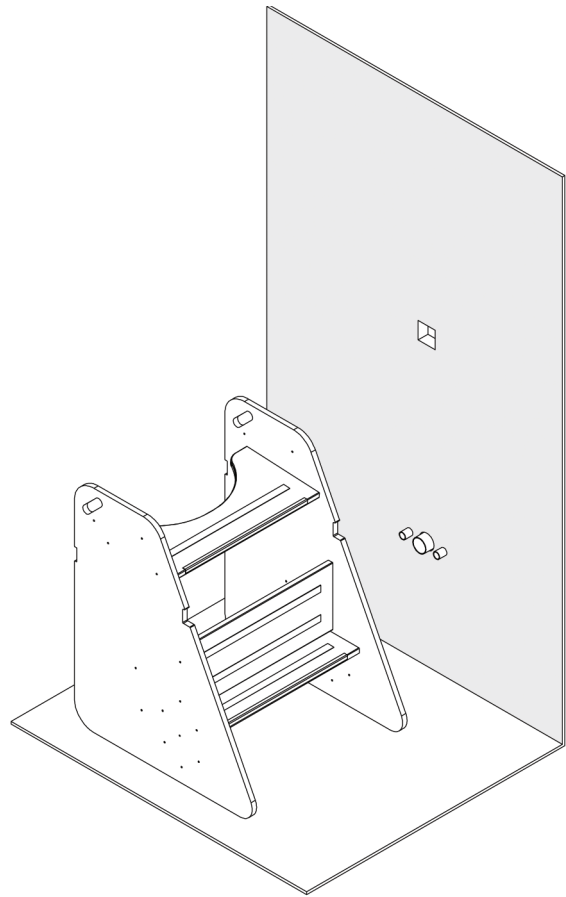
Leid de elektrische verbindingen via de inbouwdoos gemarkeerd met (⚡).

Breng de warme en koude inlaten en de afvoer naar het met (⚙️) gemarkeerde gat.



05

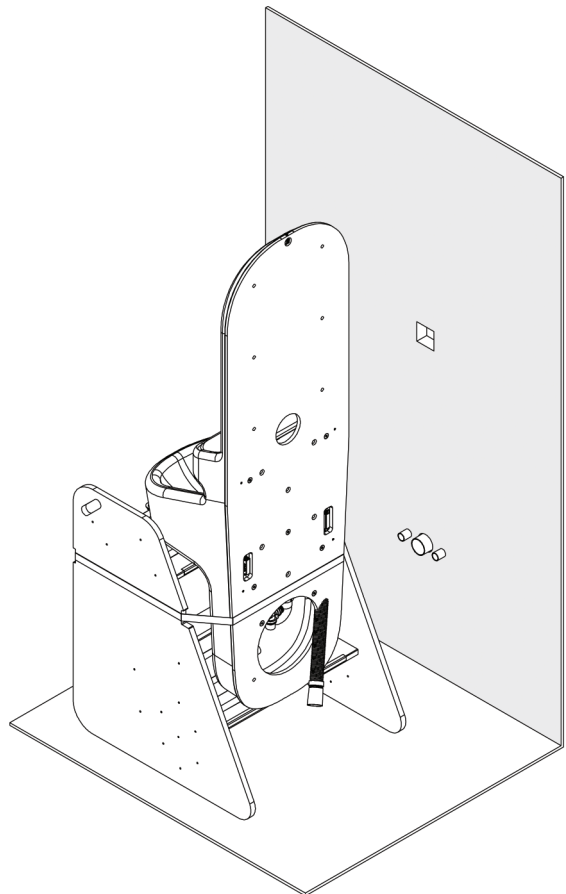
Plaats de wastafelstandaard op de aangegeven plek.



06

Haal de wastafel uit de verpakking en plaats deze op de standaard zoals aangegeven. Gebruik hiervoor minimaal twee personen en een geschikte handmatige bedieningsprocedure.

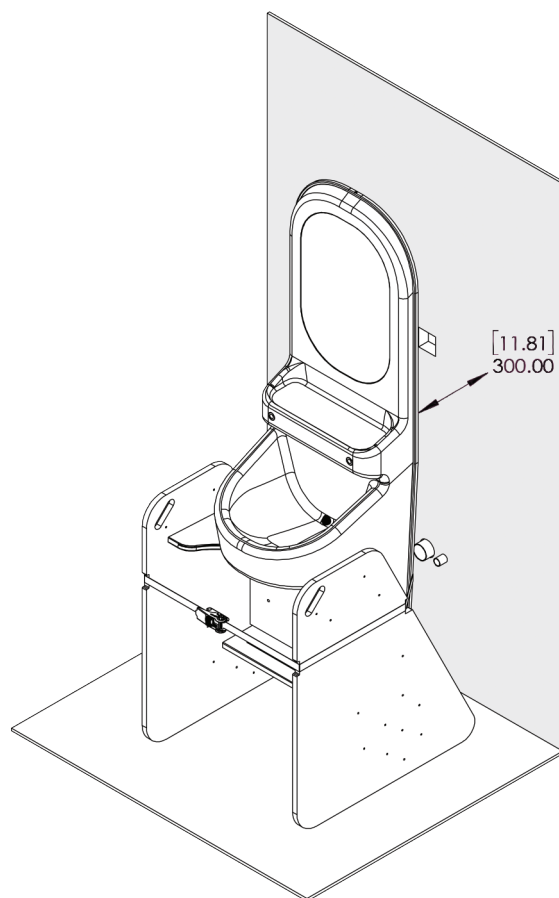
Bevestig de spanband zoals aangegeven om de bak vast te zetten.



07

Plaats de standaard zo dat de achterplaat van de wastafel 300 millimeter [11,81] van de muur verwijderd is. Zorg ervoor dat de voorgeïnstalleerde inbouwdoos centraal op de wastafel is uitgelijnd.

Het voetstuk zal de wastafel 219 millimeter [8,6] boven de vloer verheffen.

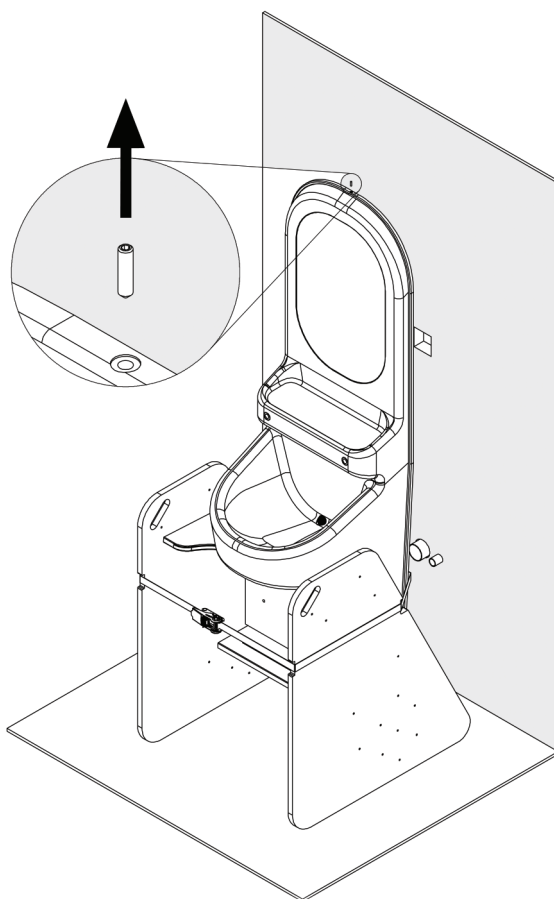


08

Draai de borgschroef uit de bovenkant van de wasbak zoals aangegeven in de afbeelding met een T40-sleutel. Verwijder vervolgens de spanband.



WAARSCHUWING -
Wanneer de wasbak niet met een spanband is vastgezet, is er een verhoogd risico op omvallen. Neem extra voorzorgsmaatregelen voor stappen gemarkeerd met dit symbool (links).



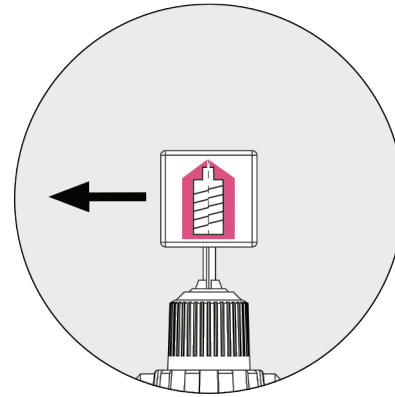
09

Bevestig het **Invis Mx2 MiniMag** booropzetstuk op de accuboormachine en draai het geheel om, zoals afgebeeld in diagram **A**.

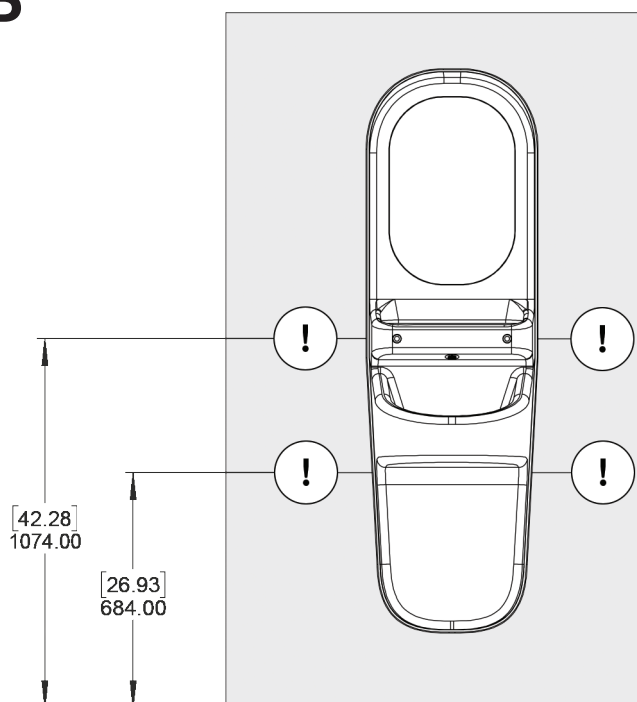
Let op de vier onzichtbare schroeflocaties die op diagram **B** zijn aangegeven. Gebruik hiervoor de muursjabloon of eerdere markeringen op de muur.

Plaats het hulpstuk parallel op de vier genoemde locaties zoals aangegeven in diagram **C** en laat de boor tien tot twintig seconden op hoge snelheid draaien om te ontgrendelen. Zodra alle vier de magnetische schroeven zijn ontgrendeld, kunt u de achterplaat van de wasbak schuiven.

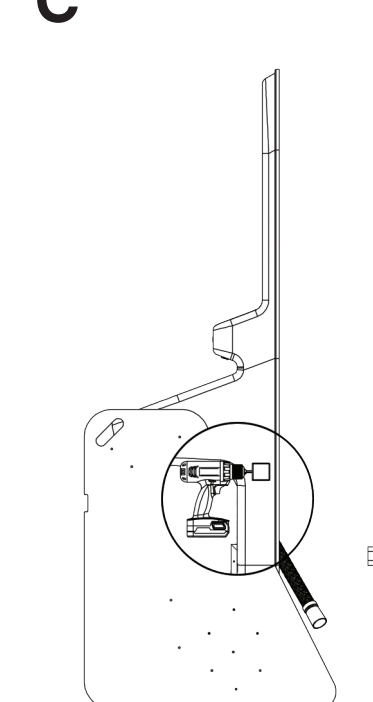
A



B



C

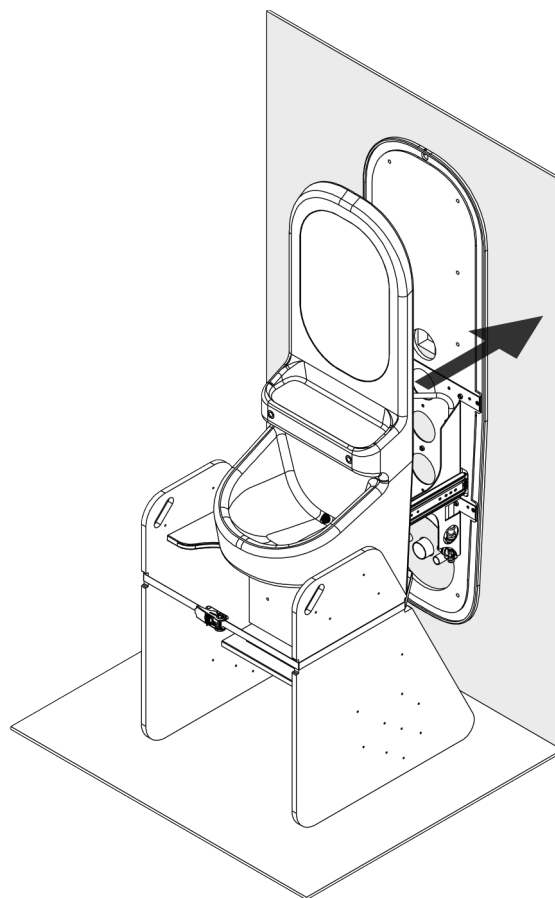


10

Schuif het bord richting de muur totdat het volledig is uitgeklapt.

Zorg ervoor dat de achterplaat horizontaal en verticaal waterpas is en vlak tegen de muur ligt.

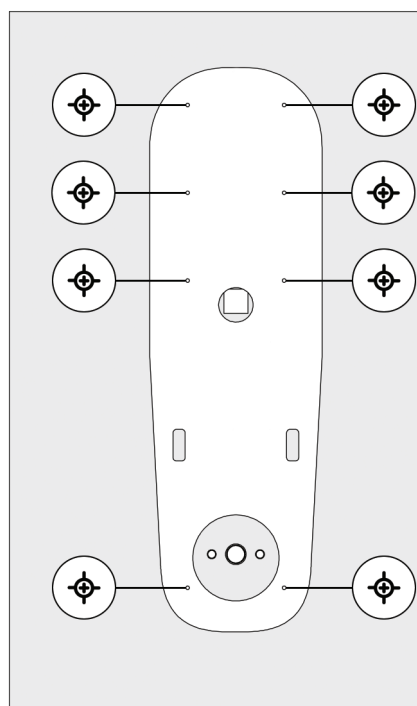
(Let op: de achterplaat komt niet volledig los van de wastafel. Deze kan maximaal 300 millimeter [11.81] uitsteken.)



11

Bevestig het achterbord stevig aan de muur op de acht punten die zijn gemarkeerd met (⊕). Gebruik hiervoor geschikte bevestigingsmiddelen (niet bijgeleverd).

De achterplaat moet waterpas en vlak tegen de muur zitten. Gebruik indien nodig vulstukken.

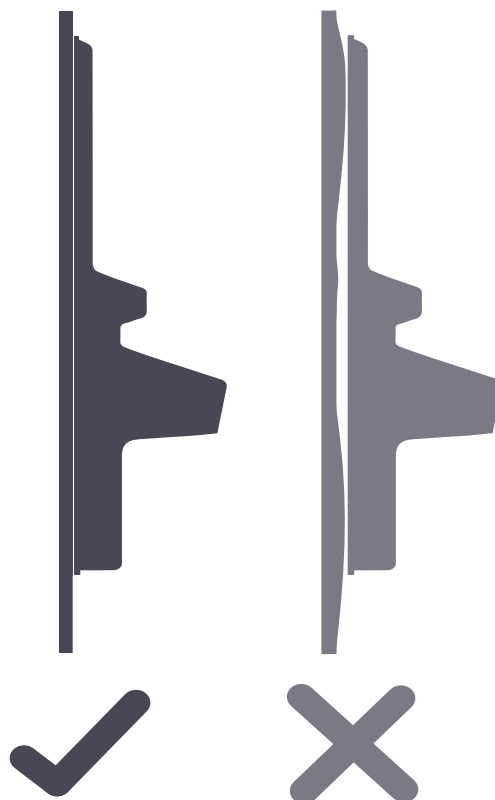


12

! - Controleer even of de wastafel goed aan de muur is bevestigd.

Wanneer de bak gesloten en vergrendeld is, moet deze in de groef van de achterplaat zitten en stevig vastgezet worden.

De achterplaat moet vlak tegen de muur worden bevestigd.

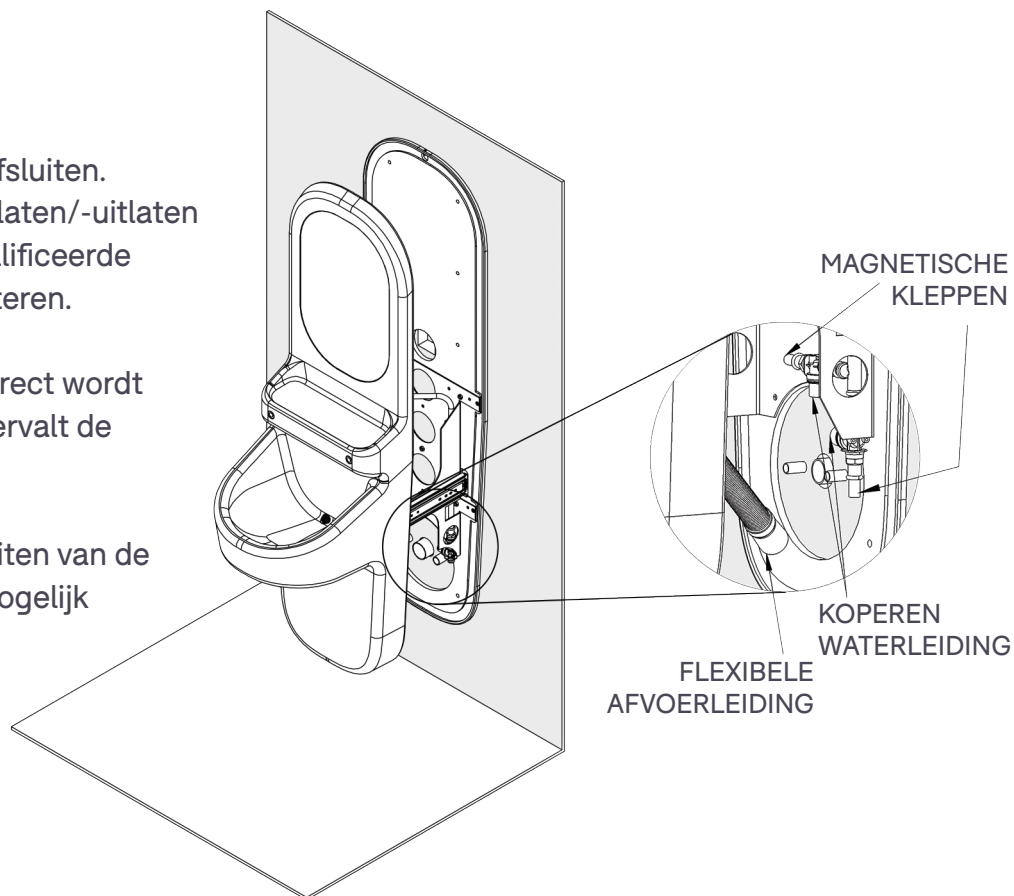


13

Watertoevoer afsluiten.
Laat de waterinlaten/-uitlaten door een gekwalificeerde loodgieter monteren.

(Als het niet correct wordt geïnstalleerd, vervalt de garantie.)

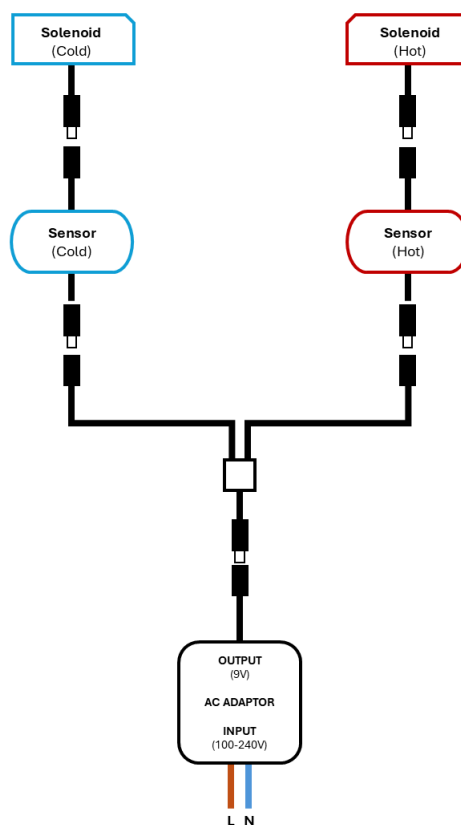
Voor het aansluiten van de leidingen zijn mogelijk adapters nodig.



14

Zorg ervoor dat de stroomtoevoer is afgesloten.
Raadpleeg het bedradingsschema en zorg ervoor dat een gekwalificeerde elektricien de elektrische verbindingen aansluit.

Blauw = Koud
Rood = Heet



15

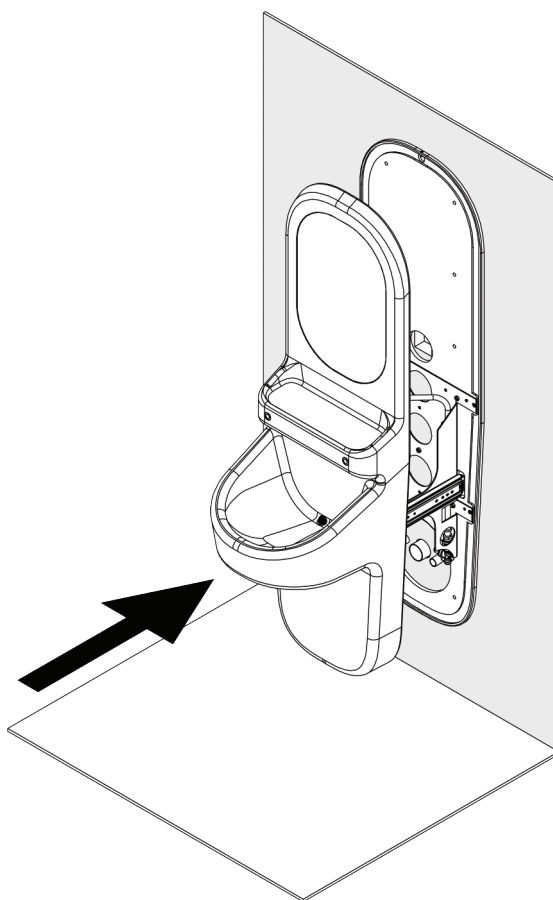
Zet de waterkraan open en controleer of alle aansluitingen waterdicht zijn en of de wastafel naar behoren functioneert.



GEEN LEKKAGE

16

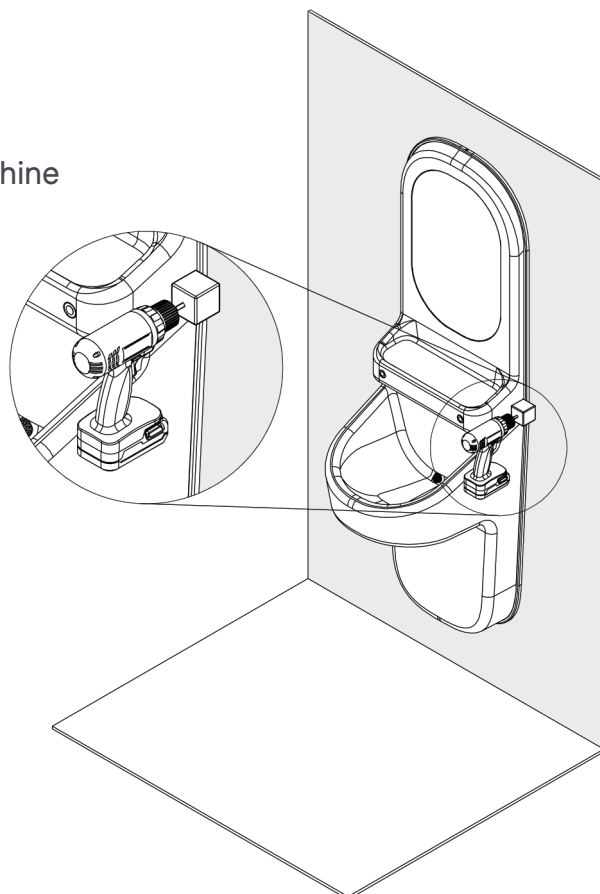
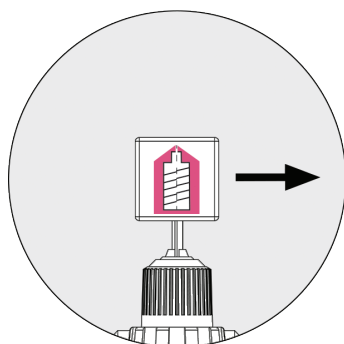
Verwijder de voet onder het meubel en schuif het wastafelmeubel naar achteren richting de muur totdat het aansluit.



17

Herhaal stap 9, maar houd de boormachine naar **voren** gericht en draai het booropzetstuk zoals aangegeven.

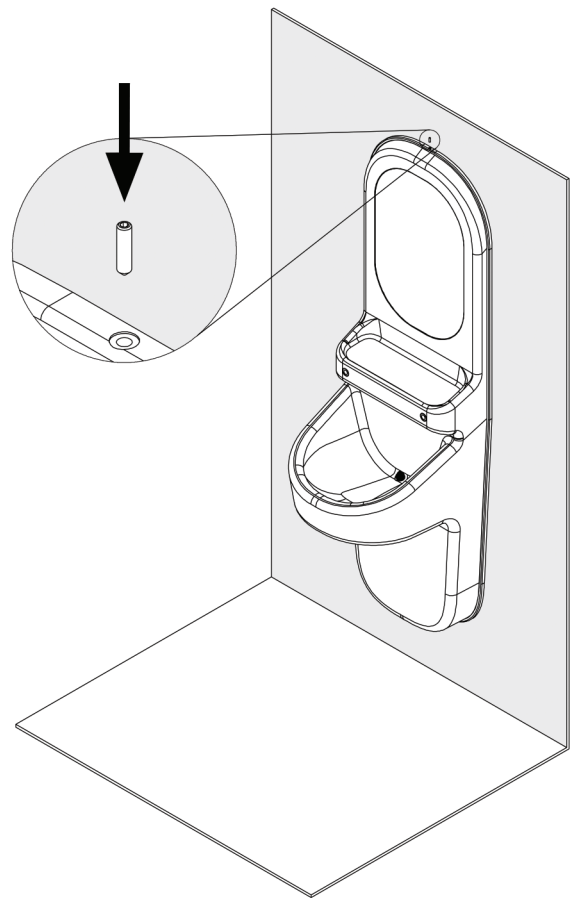
Sluit de wastafel aan op de eerder aangegeven vier onzichtbare schroefpunten. Alle vier de schroeven moeten goed vastzitten.



18

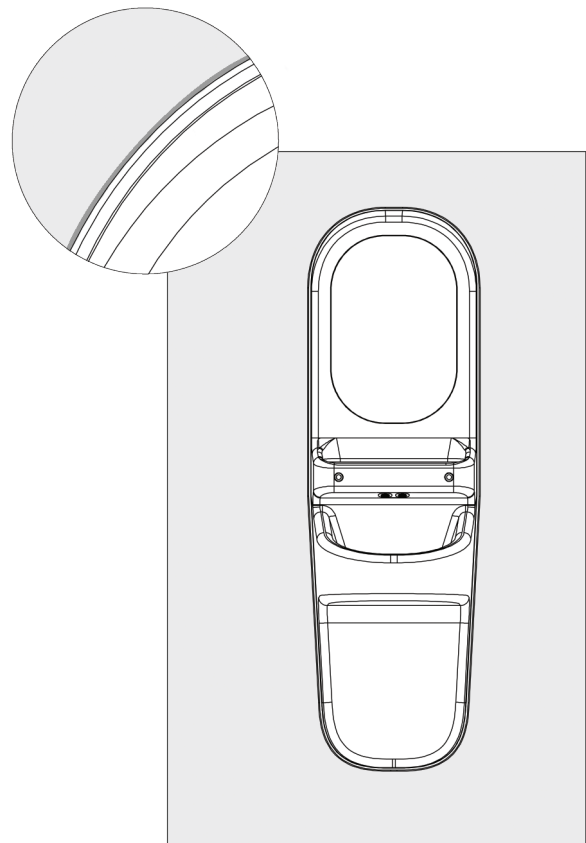
Gebruik een T40-tamperproof sleutel om de inbuschroef opnieuw te plaatsen vanaf de bovenkant van de bak, zoals aangegeven in de tekening.

WAARSCHUWING - *Mogelijk risico op beknelling. De schroef mag niet uitsteken boven het oppervlak van de wastafel. Deze moet volledig verzonken zijn.*



19

Breng een niet-uithardende afdichtkit aan rond de randen en zorg ervoor dat er geen kieren ontstaan tussen de achterplaat en de muur.



EERSTE GEBRUIK

Het water stroomt automatisch zodra een hand dicht bij het sensorvenster wordt gehouden. De standaard waterstroom duurt 8 seconden.

Let op: door de hand opnieuw dicht bij het sensorvenster te houden, kan de waterstroom voortijdig worden gestopt.

Raadpleeg de instellingen van de afstandsbediening voor het aanpassen van de stroominstellingen in de wastafel.

Als u problemen ondervindt met de installatie of configuratie, neem dan contact op met uw Pineapple-vertegenwoordiger.

GARANTIE

Zeven jaar beperkte garantie – Spoelbakbehuizing

Wij bieden zeven jaar beperkte garantie op fabricagefouten in materiaal en vakmanschap op de spoelbak. Deze garantie dekt problemen die voortvloeien uit normaal gebruik, mits het product correct wordt geïnstalleerd, gebruikt en onderhouden volgens onze onderhoudsinstructies.

Twee jaar beperkte garantie – Elektronica

Voor alle elektronische onderdelen die bij de spoelbak zijn inbegrepen (bijv. sensoren, LED-indicatoren, bedieningseenheden) geldt twee beperkte garantie van één jaar tegen fabricagefouten vanaf de aankoopdatum.

Uitsluitingen en beperkingen

Deze garantie dekt geen schade veroorzaakt door:

Onjuiste installatie of onderhoud

Ongelukken, verkeerd gebruik, misbruik of verwaarlozing

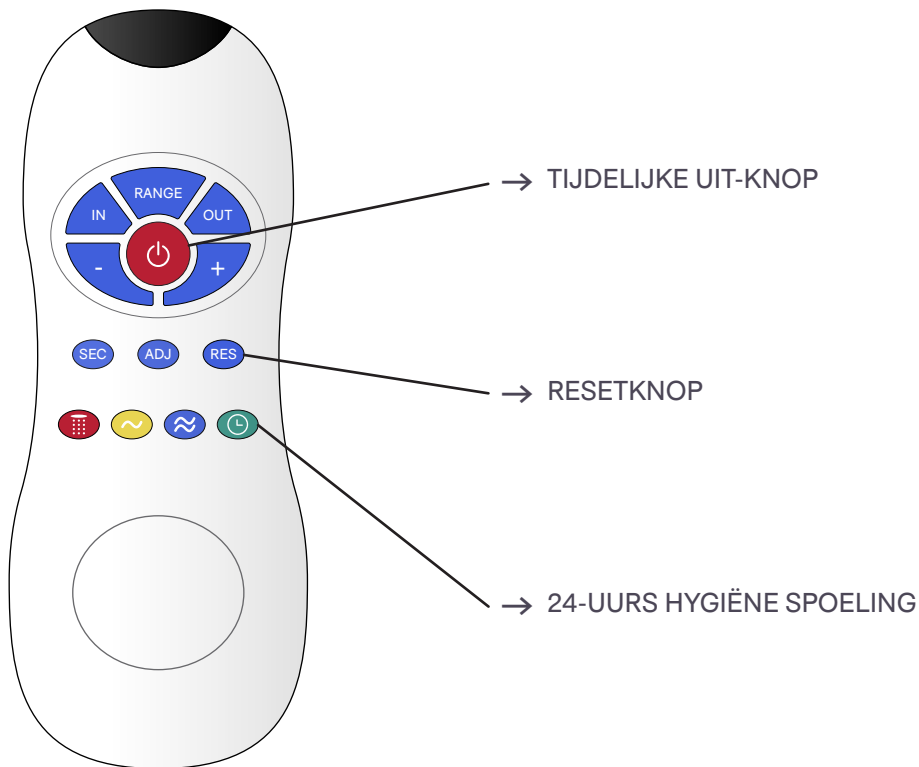
Normale slijtage, krassen of oppervlakteschade door reinigingschemicaliën of schurende materialen

Wijzigingen of reparaties uitgevoerd door niet-geautoriseerde dienstverleners

Deze garantie is niet overdraagbaar en geldt alleen voor de oorspronkelijke koper.

INSTRUCTIES VOOR AFSTANDSBEDIENING

Via de afstandsbediening zijn aangepaste instellingen beschikbaar voor eenvoudig onderhoud.



→ 24-UURS HYGIËNE SPOELING

Deze functie is ideaal om de hygiëne te maximaliseren en legionella en andere ziekten te voorkomen. Het helpt ook om te voorkomen dat leidingen bevriezen, doordat het water elke 24 uur door de leidingen stroomt. Om de hygiënespoeling te activeren of te deactiveren, drukt u op de klokknop. Wacht tot het rode lampje van het sensoroog kort knippert. Druk vervolgens op + om de hygiënespoeling te activeren of op – om deze te deactiveren.



→ TIJDELIJKE UIT-KNOP

Deze functie is ideaal om allerlei activiteiten voor de sensor uit te voeren zonder het systeem te bedienen (bijvoorbeeld schoonmaken). Kranen en spoelkleppen blijven één minuut dicht wanneer deze knop één keer wordt ingedrukt. Om deze functie te annuleren en terug te keren naar de normale werking, drukt u nogmaals op de aan/uitknop of wacht u een minuut.



→ RESETKNOP

Met deze functie kan de sensor terugkeren naar de oorspronkelijke fabrieksinstellingen.

REINIGINGSINSTRUCTIES

→ Dagelijkse schoonmaak:

Voor de dagelijkse reiniging om stof, lichte vlekken en dagelijks vuil te verwijderen:

Gebruik zeepsop, een mild schoonmaakmiddel of een reiniger op basis van ammoniak.

Zeepwateroplossing: meng één druppel afwasmiddel in één liter warm water.

Reinigers op basis van ammoniak: Volg altijd de instructies van de fabrikant. Breng de reinigungsoplossing aan met een microvezeldoek. Dit helpt om grondig te reinigen zonder het oppervlak te krassen of de afwerking te dof te maken.



→ Vlekverwijdering:

Voor hardnekkigere vlekken en vlekken kunt u de volgende methoden gebruiken, afhankelijk van het soort vlek:

Algemene vlekken:

Gebruik een Clorox-doekje om de aangetaste plek schoon te maken.

Vlekken veroorzaakt door hitte (bijvoorbeeld van stijltangen):

Kleine beschadigingen kunnen door medewerkers van Pineapple Contracts worden weggewerkt (let op: dit kan extra kosten met zich meebrengen).

Om hitteschade te voorkomen, dient u ervoor te zorgen dat er geen hete voorwerpen direct op het oppervlak worden geplaatst.

-Inkt- of penvlekken:

1. Breng 5 ml handontsmettingsmiddel of isopropylalcohol aan op de inktvlek.
2. Wrijf zachtjes met een microvezeldoek en veeg het daarna weg met een tissue.
3. Indien nodig kunt u de vlek schoonmaken met een sopje of een bleekoplossing (afhankelijk van de grootte van de vlek).

→ Maandelijks dieptereiniging:

Het wordt aanbevolen om een keer per maand grondig te reinigen om de hygiëne te behouden en geurvorming te voorkomen:

1. Meng tien milliliter chloorbleekmiddel met tien liter water.
2. Dompel een microvezeldoek in de oplossing en veeg de hele gootsteen ermee schoon, maar zorg dat het oppervlak nat blijft.
3. Laat de oplossing tien tot vijftien minuten staan.
4. Veeg de gootsteen droog met een schone doek.
5. Maak de gootsteen schoon met warm zeepsop en een keukenspons.
6. Droog de gootsteen tot slot af met een schone, droge doek.

→ Belangrijke waarschuwingen: wat u moet vermijden

Zorg ervoor dat er geen agressieve chemicaliën (bijvoorbeeld sterke zuren, sterke basen, verfverduunners en terpentijn) op de oppervlakken terecht komen.

Zorg ervoor dat u geen nagellakremover op basis van aceton op het aanrecht in de badkamer morst.

Als dergelijke chemicaliën in contact komen met het oppervlak:

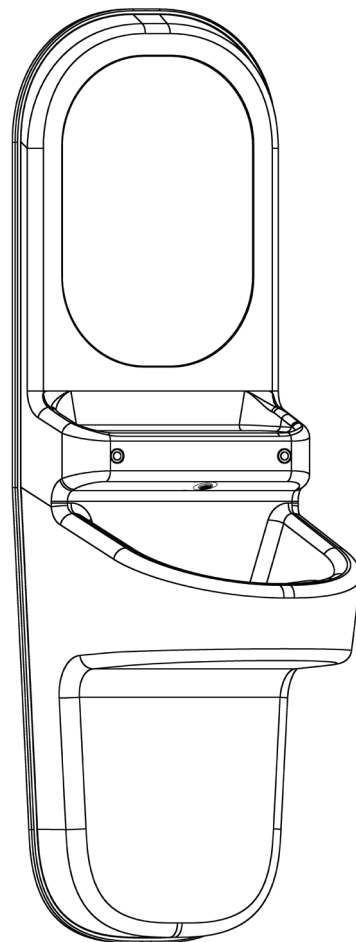
1. Maak het onmiddellijk schoon met zeepsop en een doek.
2. Als er nog resten achterblijven, volg dan de bovenstaande instructies voor het verwijderen van de vlek.
3. Veeg tot slot het hele oppervlak af om er zeker van te zijn dat er geen chemische resten meer achterblijven.



ARC LAVE-MAINS PMR (ÉDITION ROYAUME-UNI ET L'UE)

→ MANUEL D'UTILISATION

→ La gamme Arc lave-mains sécurisés est pré-équipée d'entrées d'eau chaude et d'eau froide de 15 mm pour le raccordement aux arrivées d'eau, ainsi que d'une évacuation flexible universelle.



AVERTISSEMENT: Veuillez lire ce document avant l'installation.

- Rassemblez le matériel nécessaire avant l'installation.
- L'installation nécessite au moins 2 personnes.
- Portez des gants lors de la manipulation du lave-mains pour éviter toutes traces ou rayures.
- **L'installation électrique et la plomberie doivent être réalisées par du personnel qualifié.**

Date de sortie de la version 3.8 : 05/02/2026



+44 (0)1622 237830

sales@pineapplecontracts.com

Pineapple

CONTENU

→ Clause de non-Responsabilité	_____	42
→ Dessins techniques	_____	43
→ Kit de pièces	_____	44
→ Équipement requis	_____	44
→ Guide d'installation avant la préparation	_____	45
→ Guide d'installation	_____	46
→ Première utilisation	_____	56
→ Garantie	_____	56
→ Instructions télécommande	_____	57
→ Nettoyage	_____	58
→ Remarques	_____	97

CLAUDE DE NON-RESPONSABILITÉ

Tous les efforts ont été déployés pour garantir l'exactitude des informations contenues dans ce manuel. Celui-ci est propre au Arc lave-mains sécurisé et correspond au produit fourni à la date de livraison.

Pineapple Contracts se réserve le droit de modifier, mettre à jour ou améliorer les caractéristiques techniques de ses produits et/ou ce manuel à tout moment, sans préavis. Pineapple Contracts décline toute responsabilité en cas de dommages ou pertes résultant de l'installation, de l'utilisation ou de l'entretien du produit si les instructions de ce manuel n'ont pas été lues, comprises et/ou respectées.

Pour toute information concernant la garantie, veuillez vous référer à la section Garantie, page 37 de ce manuel.

→ Installation correcte:

L'installation du Arc lave-mains sécurisé, telle que décrite dans ce manuel, doit être effectuée par des professionnels agréés et qualifiés (électricien et/ou plombier si nécessaire). Suivez strictement toutes les instructions d'installation.

Ne modifiez pas la méthode d'installation ni la structure du produit.

→ Utilisation et manipulation en toute sécurité:

Utilisez le produit dans les conditions techniques et d'environnement spécifiées. Respectez les instructions de manipulation lors de l'installation et du déplacement du lave-mains.

→ Entretien:

Inspectez régulièrement le produit afin de détecter toute usure ou dommage. Effectuez les opérations d'entretien courant recommandées dans ce manuel. N'entreprenez aucune réparation non autorisée et ne démontez pas le produit en dehors des procédures indiquées. Utilisez uniquement des accessoires compatibles et des produits de nettoyage adaptés.

→ Responsabilité environnementale:

Éliminez le produit, son emballage et tout équipement associé de manière responsable, conformément aux réglementations locales en vigueur. Référez-vous aux informations indiquées concernant le recyclage et la gestion des déchets.

→ Conditions de garantie:

Le non-respect des instructions d'installation, d'utilisation ou d'entretien peut entraîner l'annulation de la garantie. Conservez impérativement une preuve d'achat et d'installation pour toute demande de garantie.

→ Signalement des problèmes:

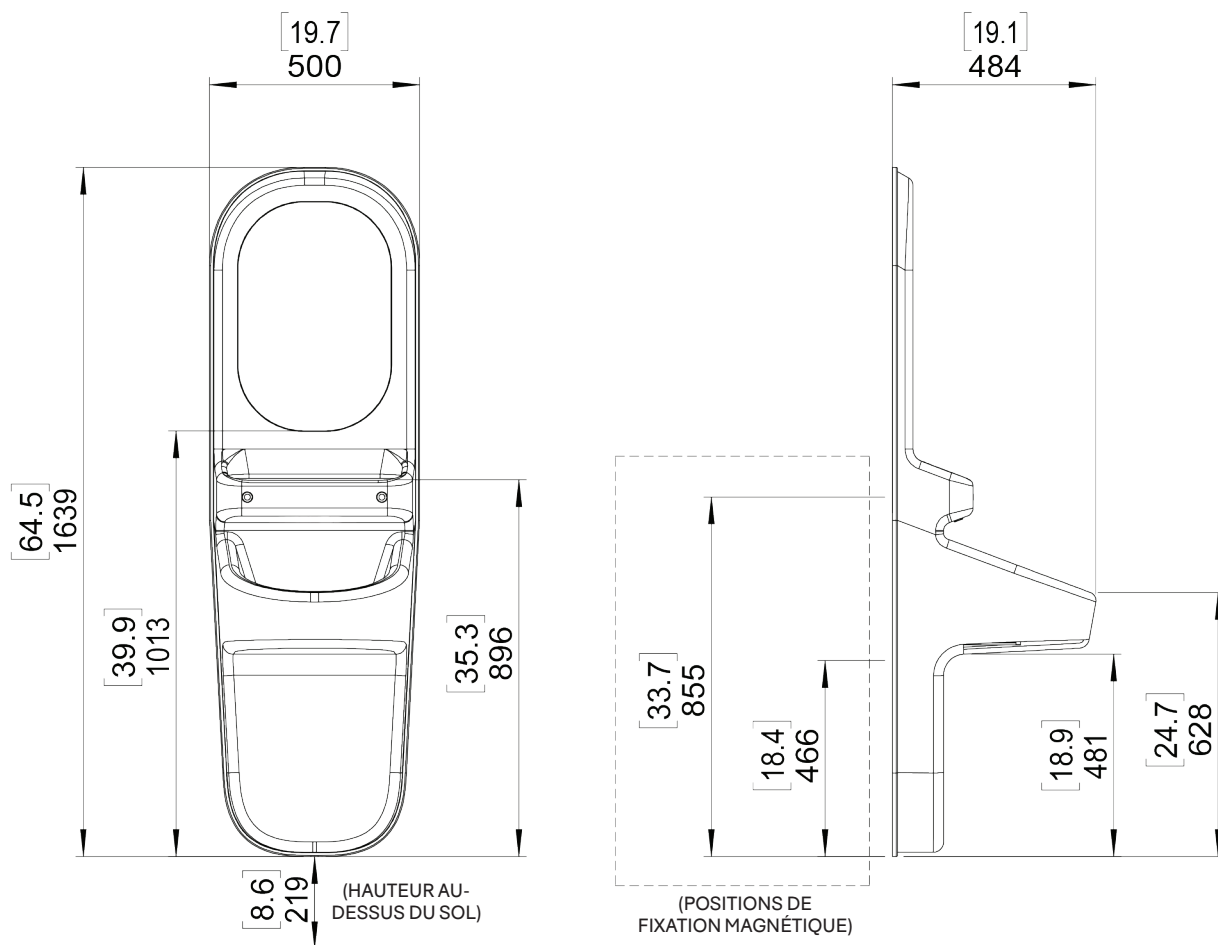
Signalez immédiatement tout dysfonctionnement ou problème de sécurité au fabricant ou au fournisseur.

→ Images du manuel:

Les illustrations présentées dans ce manuel sont fournies à titre indicatif et peuvent ne pas correspondre exactement au modèle livré.

DESSINS TECHNIQUES

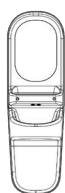
Arc lave-mains sécurisé (PMR)



[] = Pouces

= Millimètres

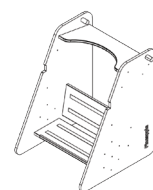
KIT DE PIÈCES



Lave-mains sécurisé
(PMR)



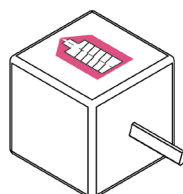
Gabarit mural



Support de lave-
mains (préassemblé)*

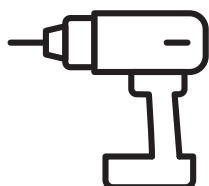


Télécommande *



Accessoire de perçage
Invis Mx2 MiniMag*

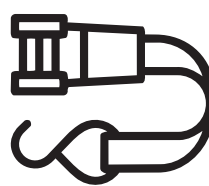
ÉQUIPEMENTS REQUIS



Perceuse sans fil



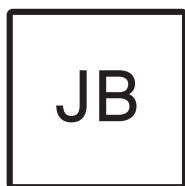
Gants de
protection



Sangle à
cliquet



Marchepied



Boîte de dérivation
(préinstallée)



Niveau à
bulle



Clé T40 inviolable



Quincaillerie
murale adaptée

*1 exemplaire fourni par commande

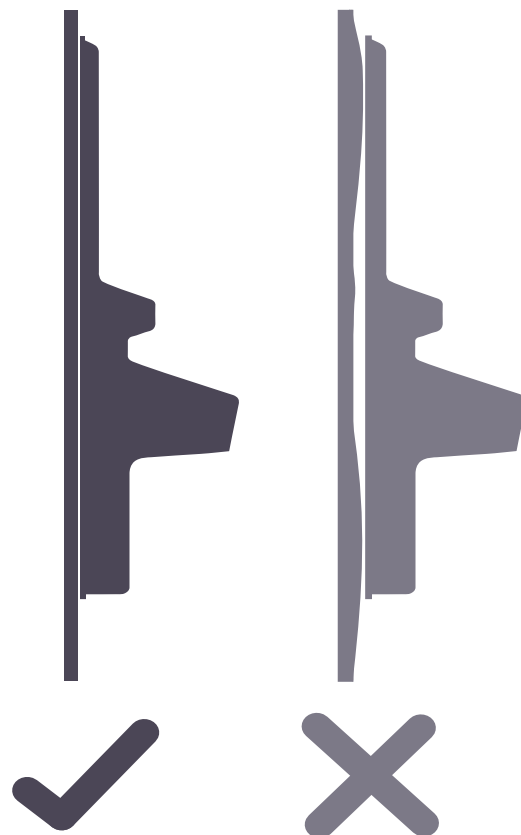
PRÉ-INSTALLATION

EXIGENCES MURALES

- Le mur doit être plat et de niveau, et constitué d'un matériau solide permettant une fixation sécurisée.
- Il est essentiel de vérifier que le mur peut supporter la charge du modèle ARC.
- Utilisez des fixations murales adaptées (non fournies).
- Si nécessaire, renforcez le mur avant l'installation.

Poids du produit :

Arc lave-mains (PMR): **64.5 kg**

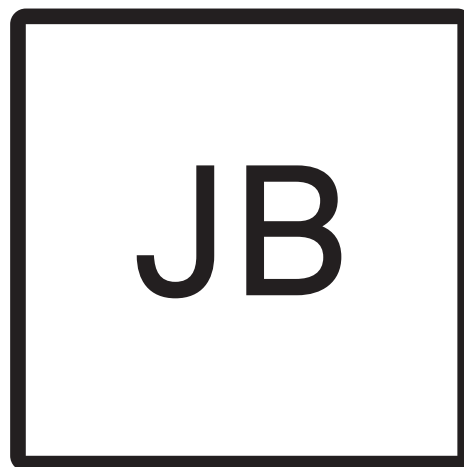


INSTALLATION DE BOÎTE DE JONCTION

Assurez-vous que toutes les sources d'alimentation électrique sont coupées et isolées avant de commencer l'installation.

Installez ensuite une boîte de jonction encastrée dans le mur.

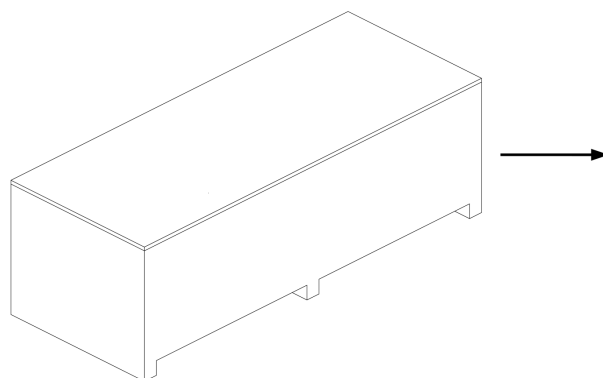
Positionnez la boîte de jonction à 1170 mm du sol, alignée avec l'orifice électrique de 100 mm (3,94") indiqué sur le schéma (⚡).



ARC LAVE-MAINS SECURISE → GUIDE D'INSTALLATION

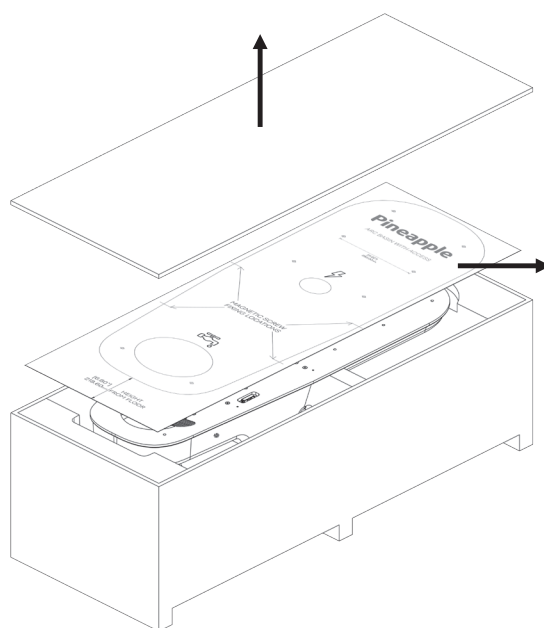
01

Amenez le support de transport au plus près de la zone d'installation avant de commencer.



02

Retirez le couvercle afin d'accéder au gabarit mural.



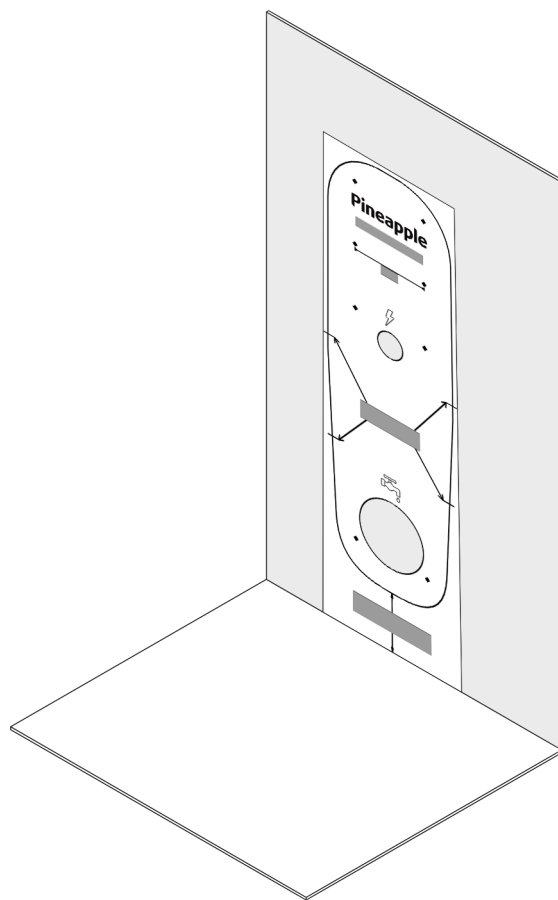
03

Fixez le gabarit mural fourni à l'emplacement souhaité sur le mur. Vérifiez que le contour du lave-mains est positionné à la bonne hauteur. Marquez les huit points de fixation murale (⊕).

Marquez l'orifice électrique de 100 mm (3,94") (⚡) et assurez-vous qu'il est aligné avec la boîte de jonction préinstallée.

Marquez l'orifice d'arrivée/évacuation d'eau de 250 mm (9,84") sur le mur (⚡).

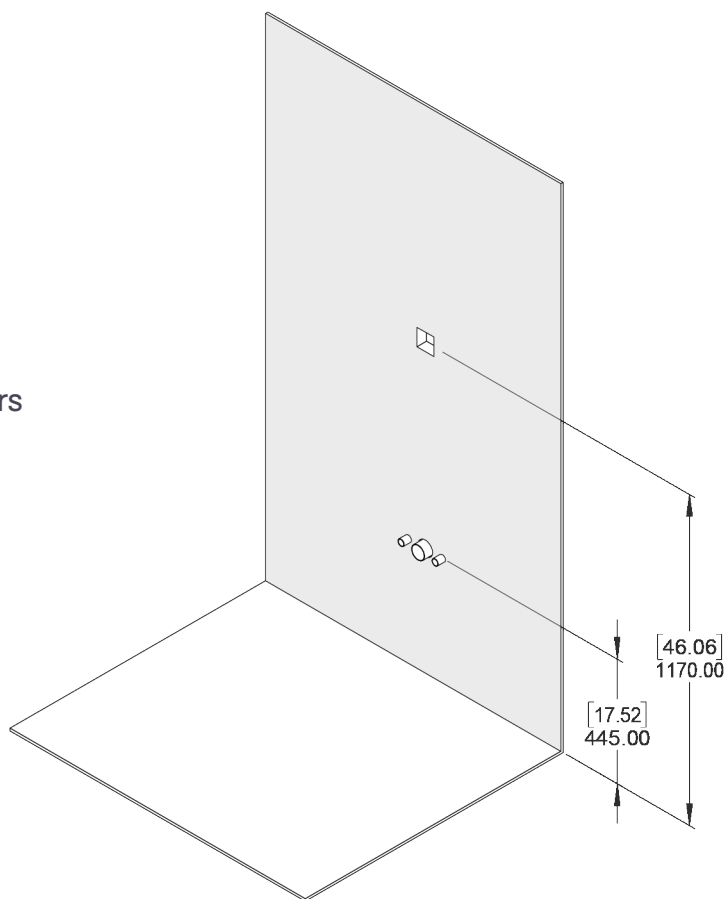
Marquez également l'emplacement des vis magnétiques pour référence ultérieure (astuce : utiliser un ruban adhésif repositionnable). Retirez le gabarit du mur.



04

Faites passer les connexions électriques à travers la boîte de dérivation indiquée (⚡).

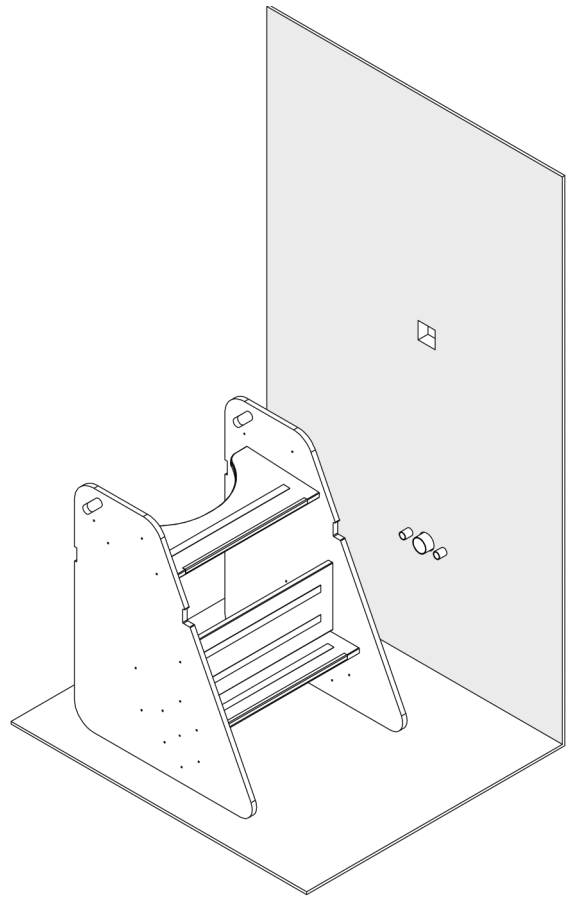
Amenez les arrivées d'eau chaude et froide, ainsi que l'évacuation, vers l'orifice indiqué (⚡).



ARC LAVE-MAINS SECURISE → GUIDE D'INSTALLATION

05

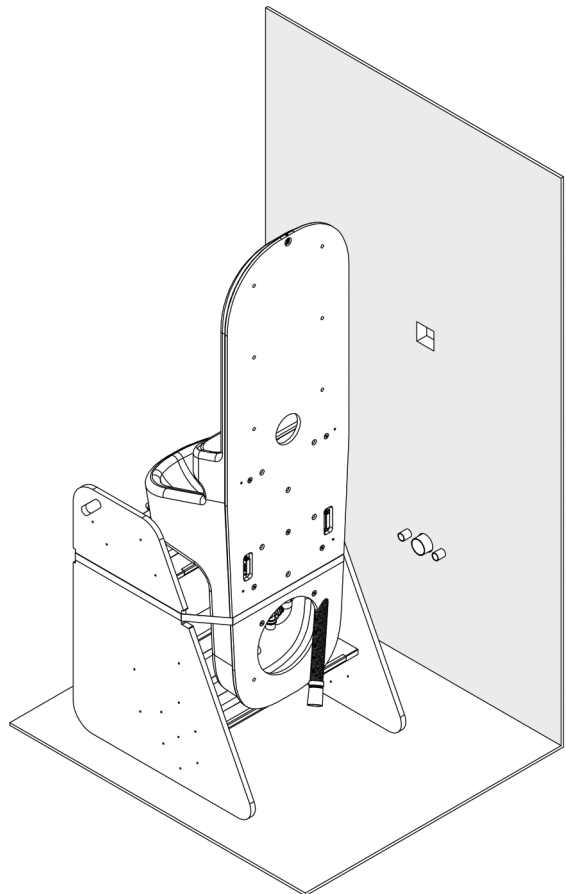
Amenez le support du lave-mains dans la zone d'installation, comme indiqué.



06

Retirez le lave-mains de son emballage et posez-le sur le support, conformément aux instructions. Utilisez au moins deux personnes et respectez les procédures de manutention adaptées.

Fixez le matériel nécessaire comme indiqué, afin de sécuriser le lave-mains.

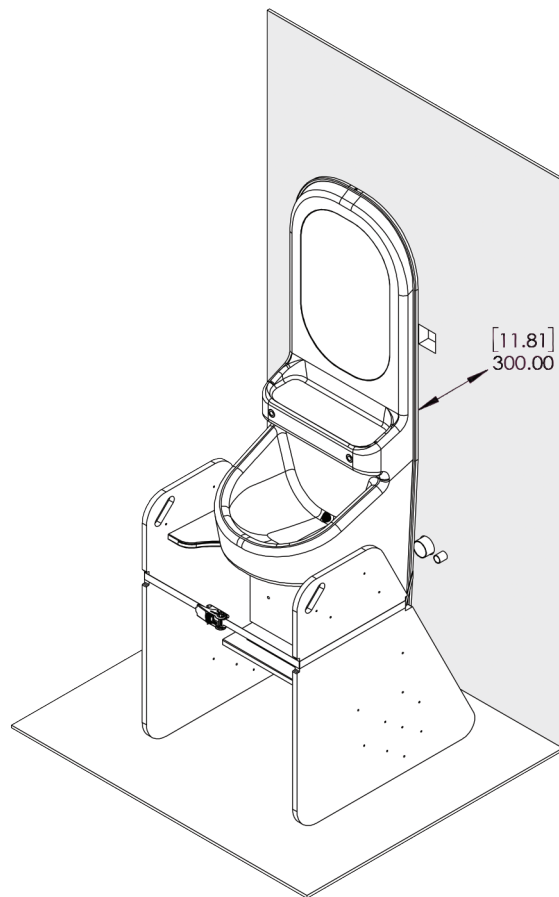


ARC LAVE-MAINS SECURISE → GUIDE D'INSTALLATION

07

Repositionnez le support de manière à ce que la plaque arrière du lave-mains soit située à 300 mm (11,81") du mur. Assurez-vous que la boîte de dérivation préinstallée soit centrée par rapport au lave-mains.

Le piètement élève le lave-mains de 219mm [8.6"] au-dessus du sol.



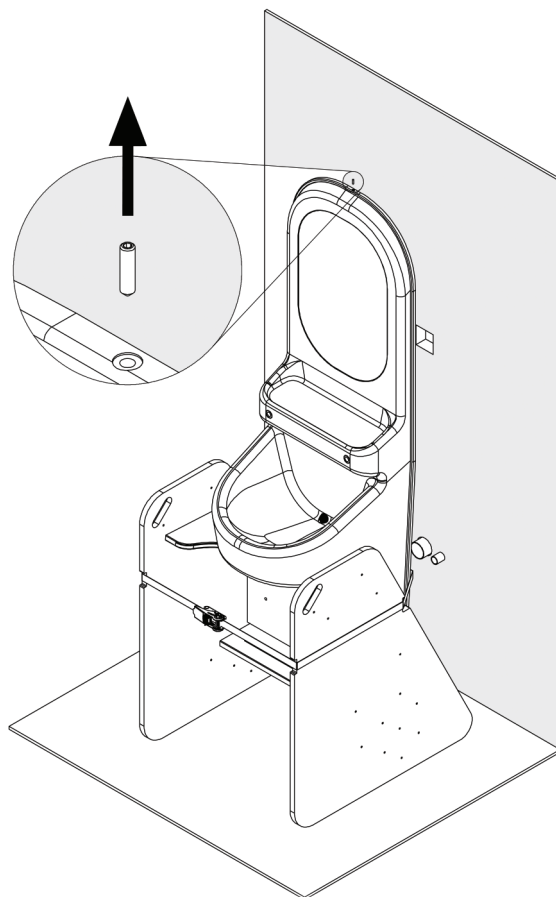
08

Dévissez la vis de sécurité située sur le dessus du lave-mains, comme indiqué sur le schéma, à l'aide de la clé T40.

Retirez ensuite la sangle à cliquet en préparation de l'étape suivante.



AVERTISSEMENT - Lorsque le lave-mains n'est plus sécurisé par une sangle à cliquet, le risque de basculement augmente. Prenez des précautions supplémentaires pour toutes les étapes signalées par ce symbole (à gauche).



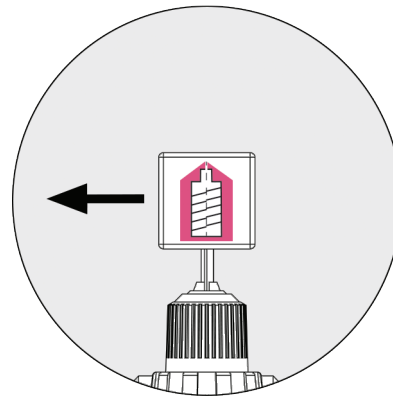
09

Installez l'accessoire de perçage Invis Mx2 MiniMag sur la perceuse sans fil et réglez-la en mode inverse, comme indiqué sur le schéma A.

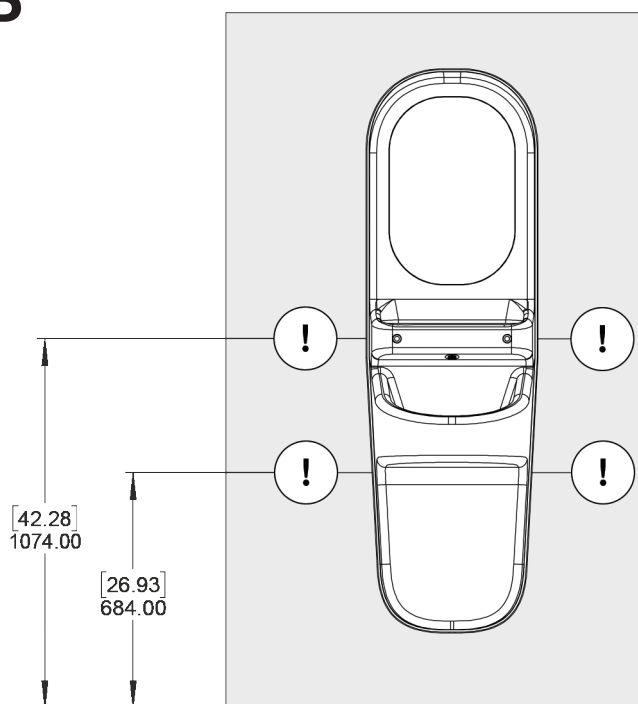
Repérez les quatre emplacements des vis invisibles indiqués sur le schéma B, en vous référant soit au gabarit mural, soit aux marquages effectués précédemment sur le mur.

Pour chacun des quatre emplacements: Positionnez l'outil parallèle au lave-mains, comme illustré sur le schéma C. Faites fonctionner la perceuse à grande vitesse pendant 10 à 20 secondes pour déverrouiller la vis. Une fois les quatre vis magnétiques déverrouillées, vous pourrez faire retirer la plaque arrière afin de la retirer du lave-mains.

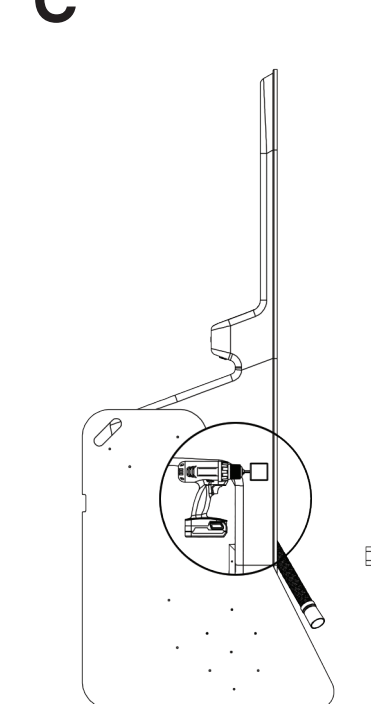
A



B



C

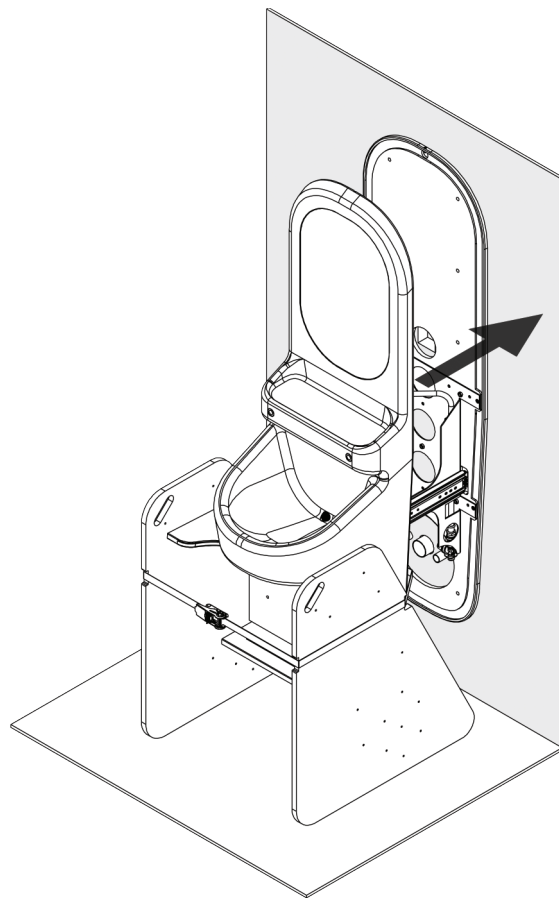


10

Faites coulisser la plaque arrière vers le mur jusqu'à sa position entièrement déployée.

Vérifiez que la plaque arrière est parfaitement de niveau, à la fois horizontalement et verticalement, et qu'elle est bien plaquée contre le mur.

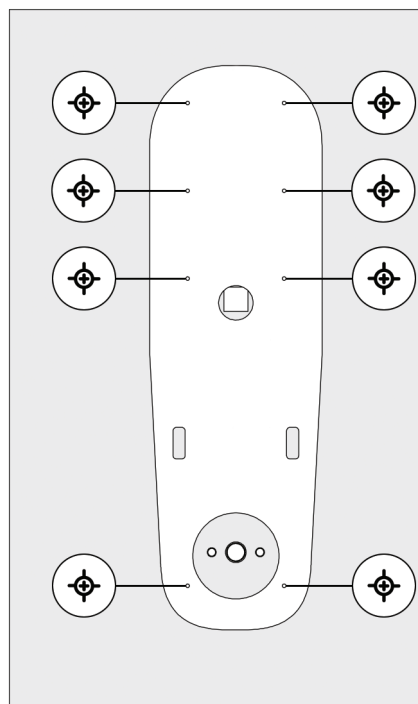
Remarque : la plaque arrière ne se détache pas complètement du lave-mains. Elle peut s'étendre jusqu'à un maximum de 300 mm (11,81").



11

Fixez solidement la plaque arrière au mur aux huit points marqués (⊕), en utilisant des fixations adaptées (non fournies).

La plaque arrière doit être parfaitement de niveau et bien plaquée contre le mur. Utilisez des cales si nécessaire pour obtenir un appui uniforme.

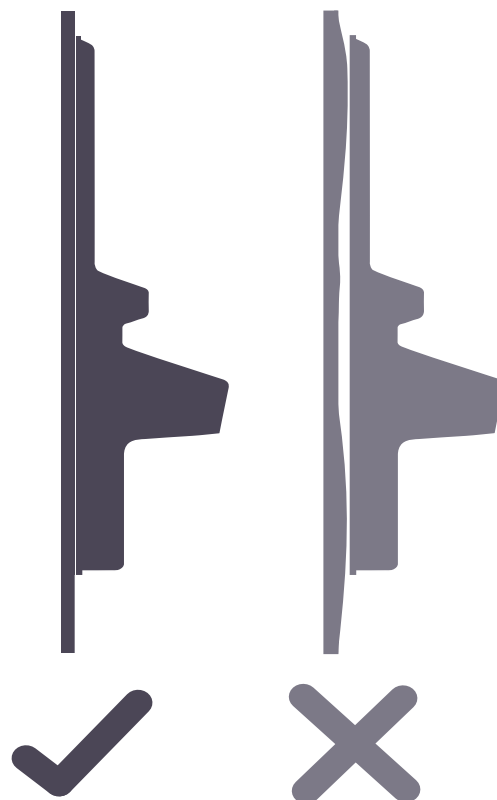


12

! - Profitez de cette étape pour vérifier que le lave-mains est correctement positionné contre le mur.

Une fois refermé et verrouillé, le lave-mains doit être parfaitement engagé dans la rainure de la plaque arrière. Être fermement fixé vers l'arrière.

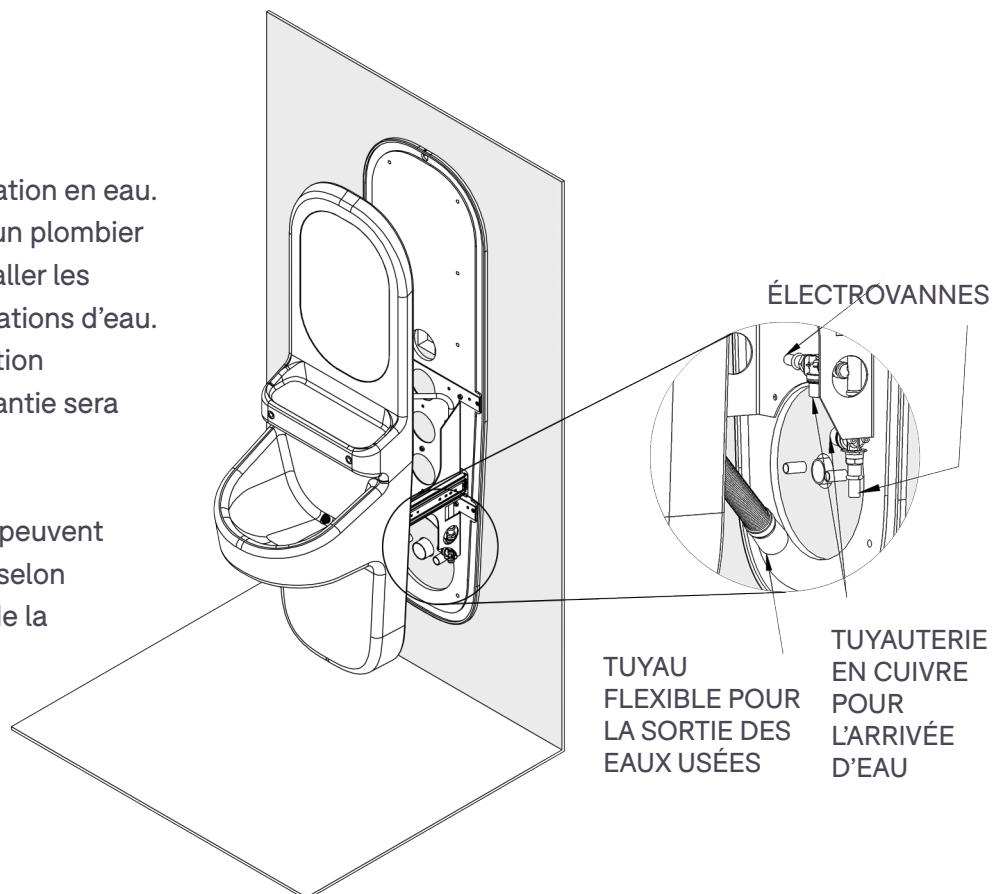
La plaque arrière doit être parfaitement affleurante au mur.



13

Coupez l'alimentation en eau. Faites intervenir un plombier qualifié pour installer les arrivées et évacuations d'eau. (En cas d'installation incorrecte, la garantie sera annulée.)

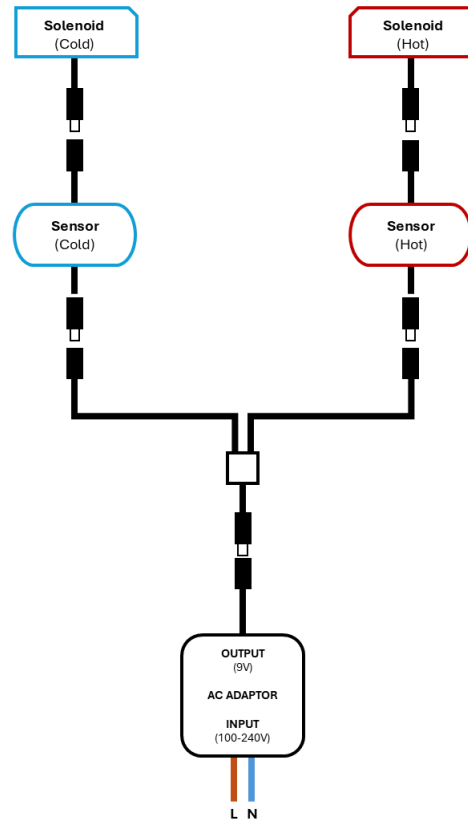
Des adaptateurs peuvent être nécessaires selon la configuration de la plomberie.



14

Assurez-vous que l'alimentation électrique est coupée.
 Reportez-vous au schéma de câblage et faites réaliser les connexions électriques par un électricien qualifié.

Bleu = Froid
 Rouge = Chaud



15

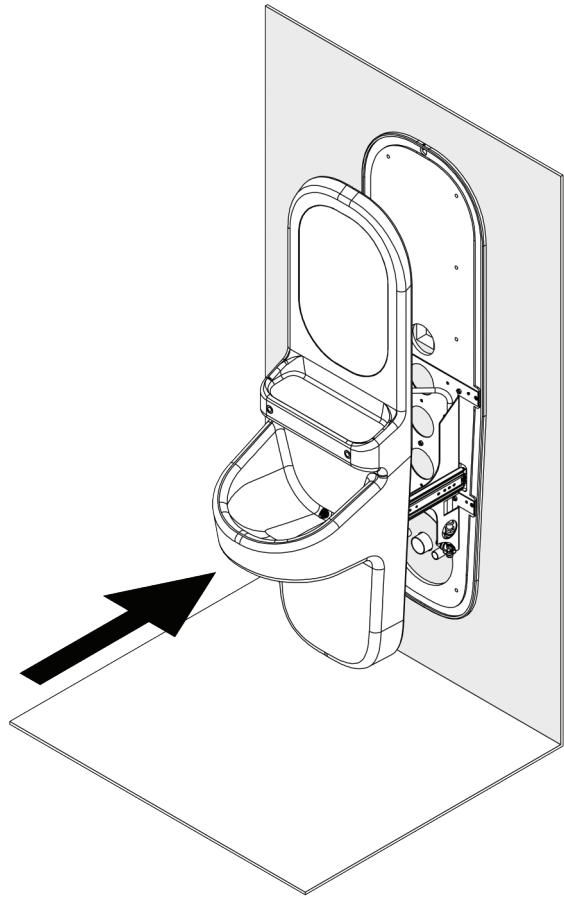
Ouvrez l'alimentation en eau et assurez-vous que tous les raccordements sont étanches et que le lave-mains fonctionne correctement.



AUCUNE FUITE

16

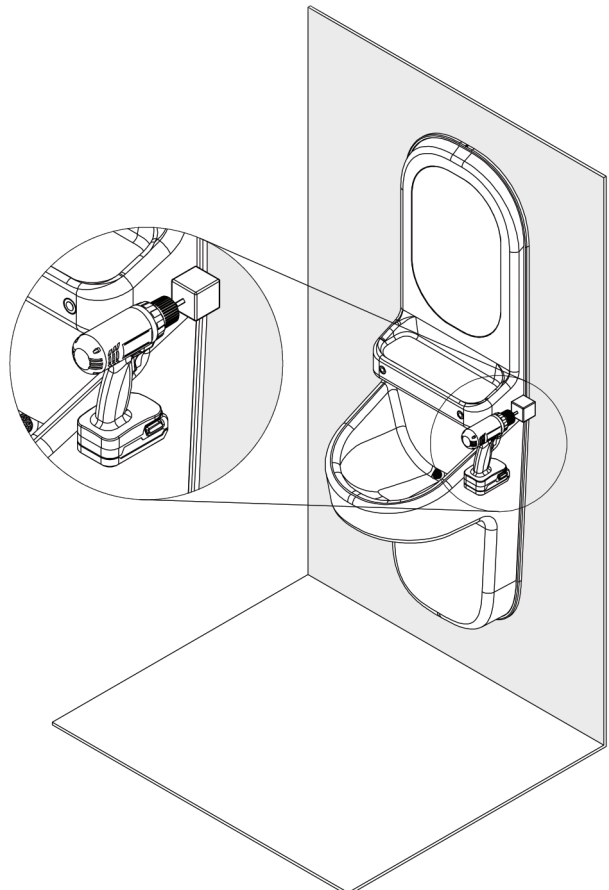
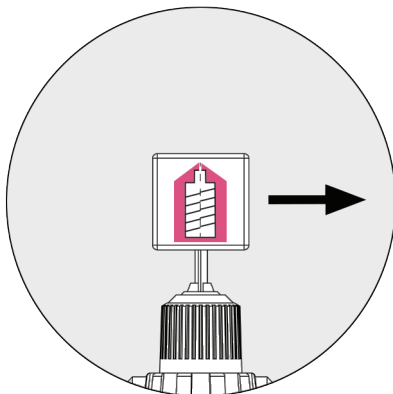
Retirez le piètement situé sous l'unité, puis faites coulisser le lave-mains vers le mur jusqu'à ce qu'il soit entièrement fermé.



17

Répétez l'étape 9, cette fois en laissant la perceuse en mode avant, et en orientant l'accessoire comme indiqué.

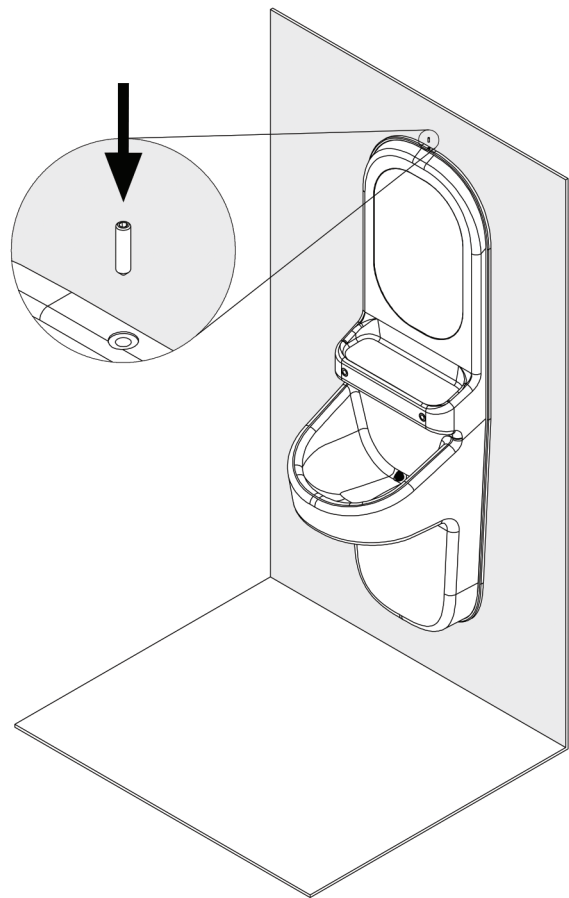
Verrouillez le lave-mains aux quatre emplacements des vis invisibles identifiés précédemment. Les quatre vis doivent être verrouillées solidement.



18

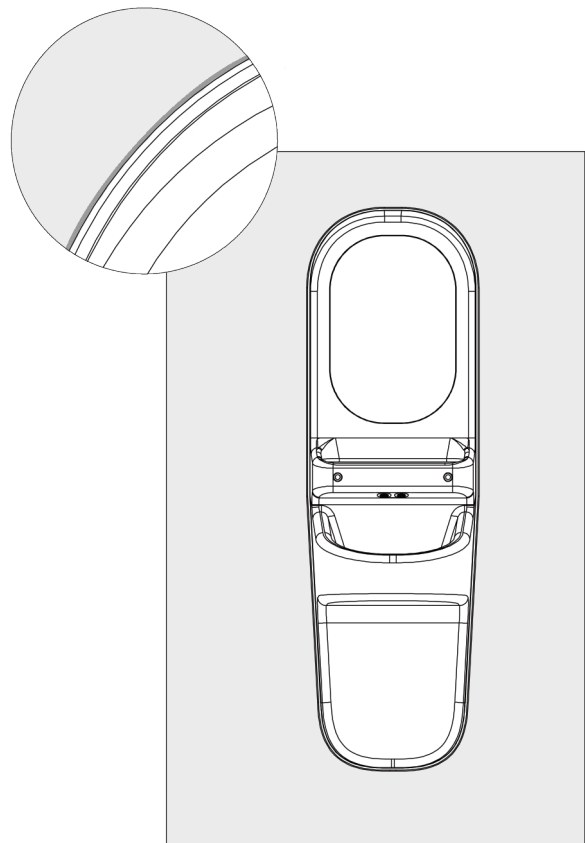
Utilisez une clé T40 inviolable, réinsérez la vis de sécurité située sur le dessus du lave-mains, comme indiqué sur le schéma.

AVERTISSEMENT -
Risque de ligature. La vis ne doit en aucun cas dépasser de la surface du lave-mains. Elle doit être entièrement affleurante et correctement encastrée.



19

Appliquez un mastic anti-arrachement (anti-pick) tout autour des bords, en veillant à ce qu'il n'y ait aucun espace entre la plaque arrière et le mur.



PREMIÈRE UTILISATION

L'eau est délivrée automatiquement lorsque l'utilisateur place sa main à proximité du capteur. Un cycle d'écoulement par défaut de huit secondes se déclenche alors. Il est néanmoins possible d'interrompre l'écoulement avant la fin du cycle en approchant de nouveau la main du capteur.

Pour ajuster les paramètres d'écoulement du lave-mains, veuillez vous référer aux réglages disponibles via le système automatique.

Si vous rencontrez des difficultés lors de l'installation ou de la configuration, n'hésitez pas à contacter votre représentant Pineapple.

GARANTIE

Garantie limitée de 7 ans – Structure du lave-mains

Nous offrons une garantie limitée de sept ans couvrant les défauts de matériaux et de fabrication concernant le corps du lave-mains.

Cette garantie s'applique aux problèmes survenant dans le cadre d'une utilisation normale, à condition que le produit ait été installé, utilisé et entretenu conformément à nos instructions.

Garantie limitée de 2 ans – Éléments électroniques

L'ensemble des composants électroniques fournis avec le lave-mains (par exemple : capteurs, voyants LED, unités de contrôle) est couvert par une garantie limitée de deux ans contre les défauts de fabrication, à compter de la date d'achat.

Exclusions et limitations

La garantie ne couvre pas les dommages résultant de :

Une installation ou un entretien incorrects,

Un accident, une mauvaise utilisation, un abus ou une négligence,

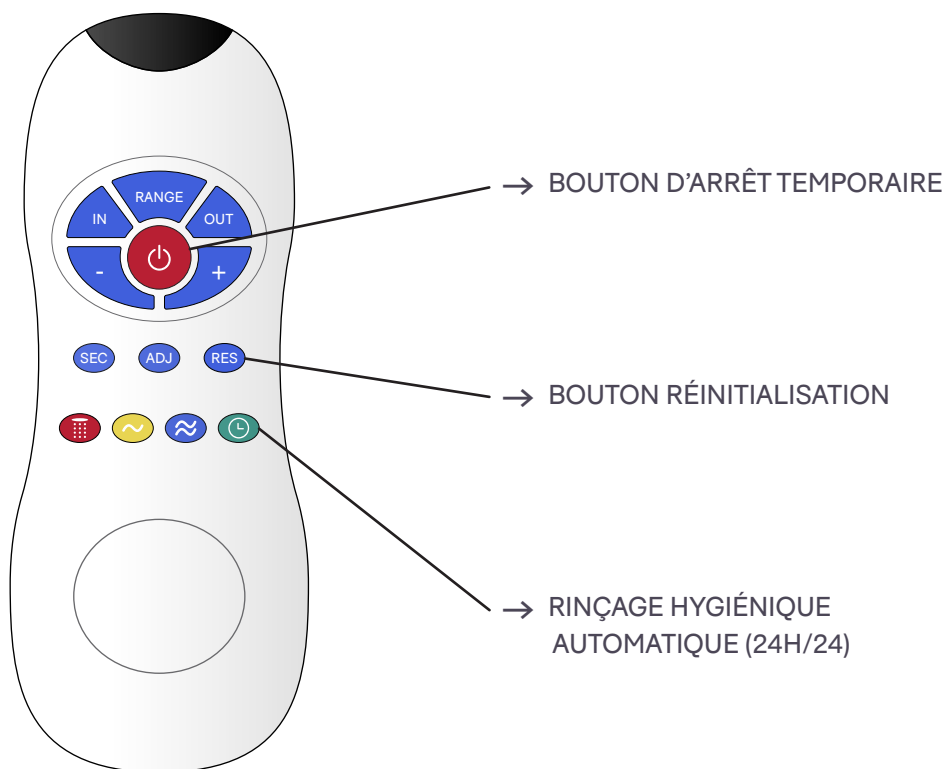
L'usure normale, les rayures ou tout dommage de surface causé par des produits chimiques ou des matériaux abrasifs,

Des modifications ou réparations effectuées par un prestataire non autorisé.

Cette garantie est non transférable et s'applique uniquement à l'acheteur d'origine.

INSTRUCTIONS TÉLÉCOMMANDE

Grâce au système de commande, plusieurs réglages personnalisés sont disponibles pour faciliter l'entretien.



→ RINÇAGE HYGIÉNIQUE AUTOMATIQUE (24H/24)

Cette fonction garantit un niveau d'hygiène optimal et aide à prévenir la légionellose ainsi que d'autres contaminations. Elle contribue également à éviter le gel des canalisations en assurant une circulation d'eau automatique toutes les 24 heures. Pour activer ou désactiver le rinçage hygiénique :

1. Appuyez sur le bouton horloge.
2. Attendez le bref clignotement du voyant rouge du capteur.
3. Appuyez sur « + » pour activer la fonction, ou sur « - » pour la désactiver.



→ BOUTON D'ARRÊT TEMPORAIRE

Cette fonction permet d'intervenir devant le capteur sans déclencher le système, par exemple lors du nettoyage.
En appuyant une fois sur ce bouton, la robinetterie reste désactivée pendant une minute.
Pour réactiver le fonctionnement normal, il suffit d'appuyer à nouveau sur le bouton marche/arrêt ou d'attendre la fin du délai d'une minute.



→ BOUTON DE RÉINITIALISATION

Cette fonction permet de rétablir les paramètres d'usine prédéfinis.

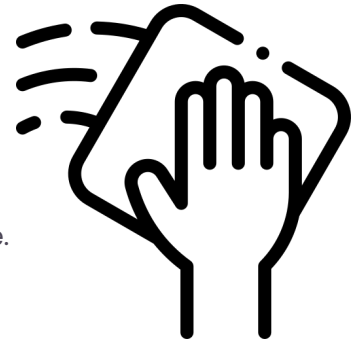
INSTRUCTIONS DE NETTOYAGE

→ Nettoyage quotidien:

Pour l'entretien courant visant à retirer la poussière, les marques légères et les salissures du quotidien :

Nettoyez la surface à l'aide d'un chiffon doux et d'un détergent ménager non abrasif ou d'une eau savonneuse (une goutte de liquide vaisselle dans un litre d'eau tiède suffit).

Essuyez ensuite avec un chiffon microfibre propre pour ne pas ternir la surface.



→ Élimination des taches

Selon la nature de la tache, plusieurs méthodes peuvent être utilisées :

Taches tenaces ou étendues :

1. Utilisez un chiffon doux légèrement humidifié avec votre nettoyant ménager habituel.
2. Si nécessaire, vous pouvez utiliser avec précaution un détergent contenant un faible taux de chlore, conformément aux recommandations du fabricant.
3. Rincez ensuite à l'eau claire
4. Séchez à l'aide d'un chiffon propre.

Taches courantes:

Un chiffon microfibre humidifié avec un nettoyant multi-usage non abrasif est généralement suffisant.

Taches liées à la chaleur (ex : lisseurs, appareils chauffants):

Pour éviter tout dommage, ne placez jamais d'objets chauds directement sur la surface.

Taches d'encre ou de stylo :

Appliquez une petite quantité de gel hydroalcoolique ou d'alcool isopropylique sur la tâche et frottez délicatement avec un chiffon microfibre.

Essuyez ensuite avec un tissu propre.

Si nécessaire, complétez avec un nettoyage à l'eau savonneuse.

→ Nettoyage en profondeur mensuel

Un nettoyage approfondi une fois par mois contribue à maintenir un niveau d'hygiène optimal et à prévenir les mauvaises odeurs.

1. Nettoyez la surface avec un nettoyant ménager non abrasif et un chiffon microfibre.
2. Laissez agir quelques minutes si besoin.
3. Essuyez avec un chiffon propre et sec.
4. Effectuez un second nettoyage à l'eau tiède savonneuse, puis séchez soigneusement.

(Aucune solution fortement chlorée ou javellisée ne doit être utilisée en trempage ou laissée reposer longtemps sur la surface.)

→ - Avertissements importants : À éviter

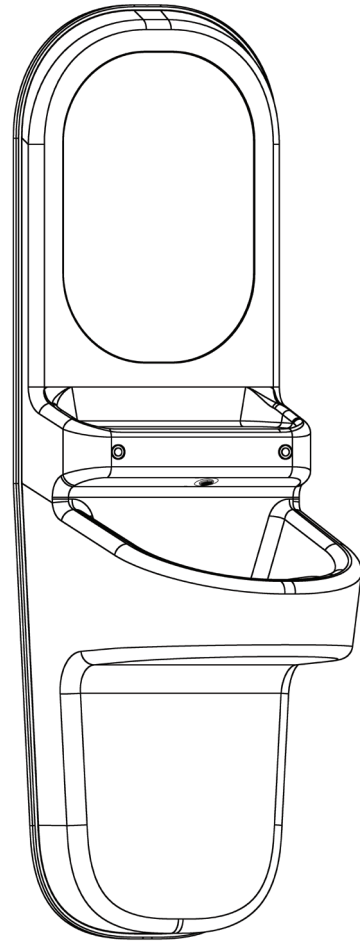
N'utilisez ni solvants, ni produits abrasifs, ni nettoyeurs vapeur, ni jets haute pression. Évitez l'exposition aux sources de chaleur. Ne laissez jamais des produits fortement chimiques (acides, bases, dissolvants, diluants) en contact avec la surface. Les dissolvants à base d'acétone (ex. dissolvant à ongles) ne doivent pas entrer en contact avec la surface.

En cas de contact accidentel :

1. Nettoyez immédiatement avec un chiffon doux et de l'eau savonneuse.
2. Si une marque persiste, utilisez la méthode décrite dans les sections ci-dessus.
3. Séchez entièrement pour éviter tout résidu chimique.



BARRIEREFREIE ARC WASCHBECKEN (AUSSCHLIESSLICH FÜR DEN UK UND EU MARKT) → BENUTZERHANDBUCH



→ Die Arc Waschbecken Serie ist mit 15-Millimeter [0,6] Warm- und Kaltwasseranschlüssen für den Wasserhahn und einem universellen flexiblen Abflussanschluss vorinstalliert.



WARNUNG: Lesen Sie dieses Dokument vor der Montage.

- Stellen Sie vor der Montage die benötigte Ausrüstung bereit.
- Für die Montage sind mindestens 2 Personen erforderlich.
- Tragen Sie beim Umgang mit dem Becken Handschuhe, um Flecken zu vermeiden.
- Die Montage und Inbetriebnahme dürfen nur von autorisiertem und qualifiziertem Personal durchgeführt werden.
- **Qualifizierter Elektriker und Klempner erforderlich.**

Veröffentlichungsdatum Version 3.8: 05/02/2026



+44 (0)1622 237830

sales@pineapplecontracts.com

Pineapple

→ Haftungsausschluss	_____	61
→ Technische Zeichnungen	_____	62
→ Teilesatz	_____	63
→ Erforderliche Ausrüstung	_____	63
→ Vormontageanleitung	_____	64
→ Montageanleitung	_____	65
→ Erste Verwendung	_____	75
→ Garantie	_____	75
→ Fernbedienungsanleitung	_____	76
→ Reinigung	_____	77
→ Anmerkungen	_____	97

HAFTUNGSAUSSCHLUSS

Es wurden alle Anstrengungen unternommen, um die Informationen in diesem Handbuch korrekt wiederzugeben. Dieses Handbuch bezieht sich speziell auf das Produkt, das zum Zeitpunkt der Lieferung mitgeliefert wurde.

Pineapple Contracts behält sich das Recht vor, die Produktspezifikation und/oder die Bedienungsanleitung jederzeit ohne vorherige Ankündigung zu ändern, zu aktualisieren oder zu verbessern. Pineapple Contracts haftet nicht für Schäden oder Verluste, die entstehen, wenn die Person, die das Gerät montiert, bedient oder wartet, die Bedienungsanleitung nicht gelesen oder befolgt hat.

Die vollständigen Informationen zur Garantie finden Sie im Abschnitt „Garantie“ auf Seite 17 dieses Handbuchs.

→ Ordnungsgemäße Montage:

Die Montage des Waschbeckens gemäß den Anweisungen in dieser Bedienungsanleitung sollte von autorisierten und qualifizierten Fachleuten durchgeführt werden (qualifizierter Elektriker und Klempner erforderlich).

Befolgen Sie alle in dieser Anleitung enthaltenen Montageanweisungen.

Nehmen Sie keine Änderungen oder Manipulationen an der Montagemethode oder -struktur vor.

→ Sichere Verwendung und Handhabung:

Betreiben Sie das Produkt unter den angegebenen Leistungs- und Umgebungsbedingungen. Befolgen Sie während der Montage des Beckens die entsprechenden Richtlinien für die manuelle Handhabung.

→ Wartung:

Überprüfen Sie das Gerät regelmäßig auf Beschädigungen und Verschleiß und führen Sie die empfohlenen Routinereinigungen durch.

Führen Sie keine unbefugten Reparaturen durch und zerlegen Sie das Gerät nicht über den in dieser Anleitung beschriebenen Umfang hinaus. Verwenden Sie ausschließlich kompatibles Zubehör und Reinigungsmittel.

→ Umweltverantwortung:

Entsorgen Sie das Produkt, die Verpackung, Elektronik und Beschichtungen verantwortungsbewusst gemäß den lokalen, staatlichen und/oder bundesstaatlichen Vorschriften.

Nutzen Sie die bereitgestellten Informationen zum Recycling und zur Entsorgung.

→ Garantiebedingungen:

Beachten Sie, dass die Nichteinhaltung der Benutzerpflichten zum Erlöschen der Garantie führen kann. Bewahren Sie den Kaufbeleg und die Montagebelege für Garantieansprüche auf.

→ Meldung von Problemen:

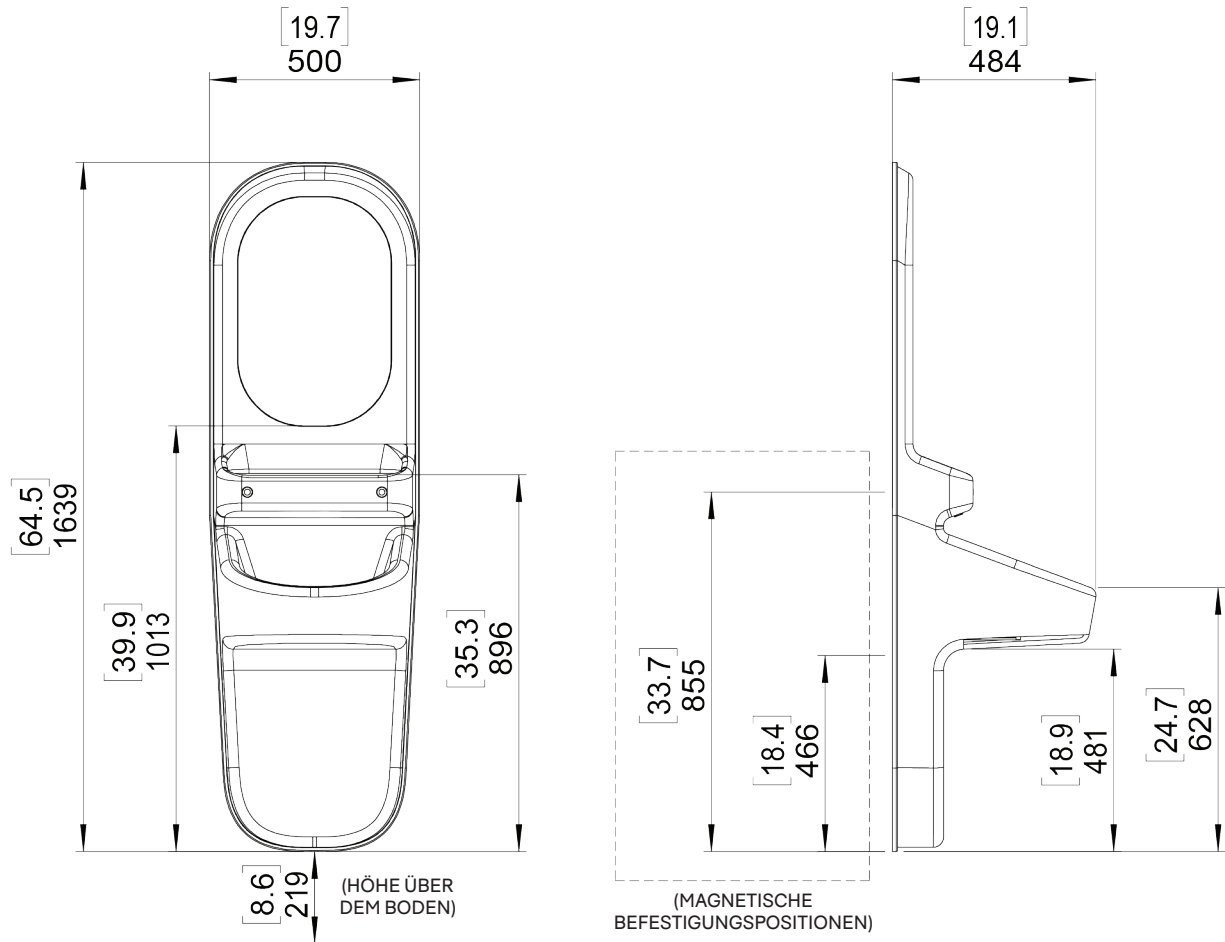
Melden Sie jegliche Sicherheits- oder Betriebsprobleme unverzüglich dem Hersteller oder Lieferanten.

→ Abbildungen im Handbuch:

Bitte beachten Sie: Die Abbildungen in diesem Handbuch dienen nur der Veranschaulichung und stellen möglicherweise nicht das exakte Modell dar, auf das Bezug genommen wird.

TECHNISCHE ZEICHNUNGEN

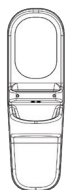
Arc Waschbecken (Barrierefrei)



[] = Zoll

= Millimeter

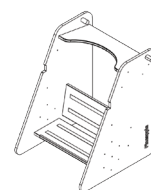
TEILESATZ



Waschbecken
(Barrierefrei)



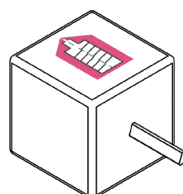
Wandschablone



Waschbeckenständer
(montiert)*

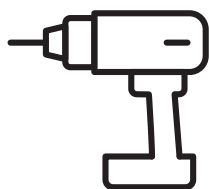


Fernbedienung*



Invis Mx2 MiniMag
Bohraufsatz*

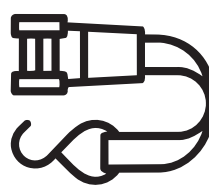
ERFORDERLICHE AUSTRÜSTUNG



Akku-Bohrmaschine



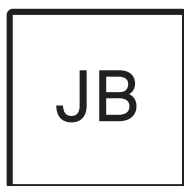
Handschuhe



Ratschengurt



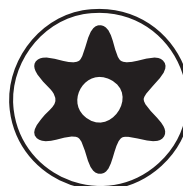
Leiter



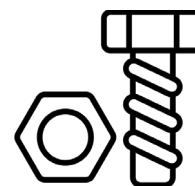
Anschlussdose
(vorinstalliert)



Wasserwaage



T40
Manipulations-
schutzschlüssel



Geeignete
Wandbefestigungen

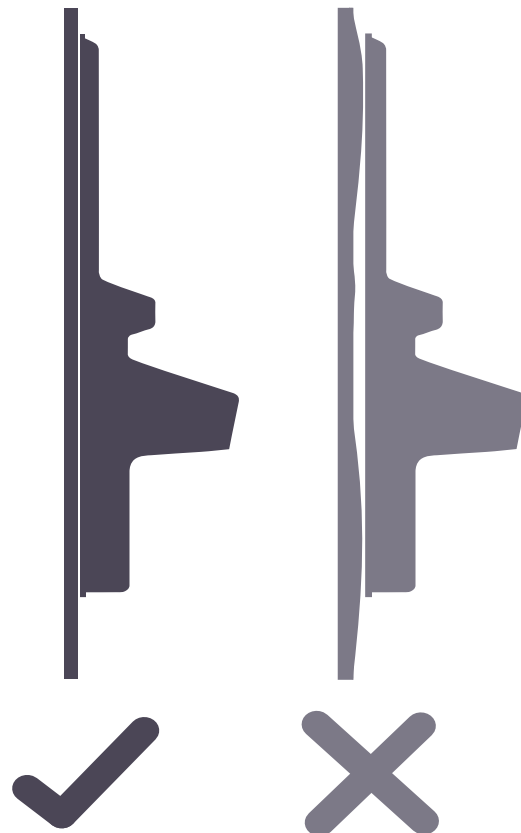
*1 Stück pro Bestellung im Lieferumfang enthalten

VORMONTAGEANLEITUNG

ANFORDERUNGEN AN DIE WÄNDE

- Die Wände müssen eben und flach sein und über ein sicheres Befestigungsmaterial verfügen.
- Es muss darauf geachtet werden, dass die Tragfähigkeit der Wand für das zu montierende Arc Waschbeckenmodell ausreichend ist.
- Stellen Sie sicher, dass geeignete Befestigungen für die Befestigung des Produkts an der Wand verwendet werden (nicht im Lieferumfang enthalten).
- Falls erforderlich, verstärken Sie bitte die Wand vor der Montage.

Produktgewicht -
Arc Waschbecken (Barrierefrei) : **64.5 kg**

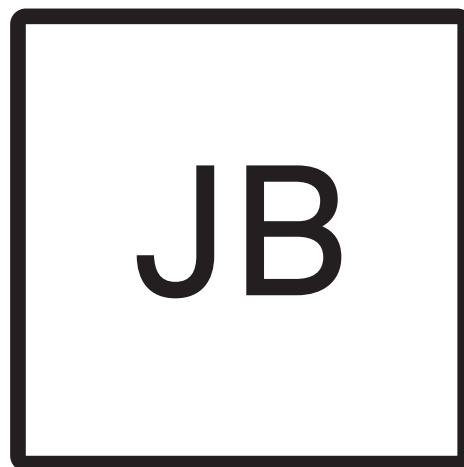


MONTAGE DER ANSCHLUSSDOSE

Stellen Sie sicher, dass alle Stromquellen vor Beginn der Montage getrennt und isoliert sind.

Anschließend muss eine Unterputz-Anschlussdose an der Wand montiert werden.

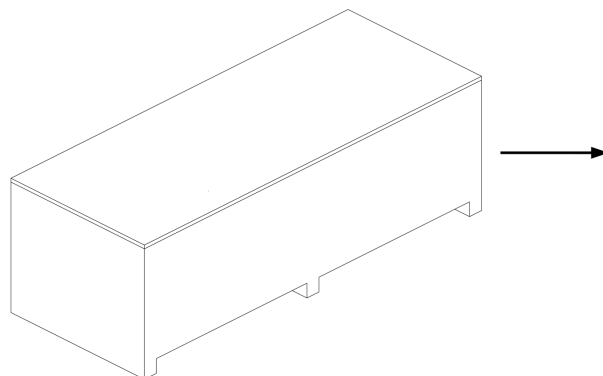
Montieren Sie die Anschlussdose 1170 Millimeter über dem Boden, in einer Linie mit der 100 Millimeter [3,94"] großen Elektroöffnung, die mit (⚡) gekennzeichnet ist.



ARC WASCHBECKEN → MONTAGEANLEITUNG

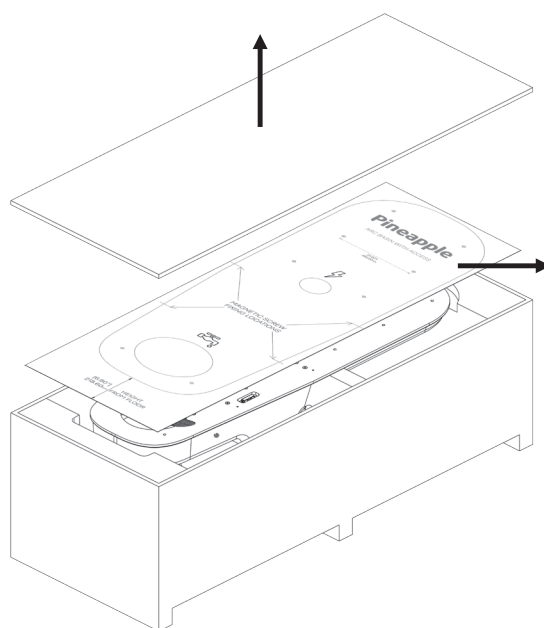
01

Bringen Sie die Transportkiste vor Beginn der Montage so nah wie möglich an den Montageort.



02

Entfernen Sie den Deckel, um die Wandschablone herauszunehmen.



ARC WASCHBECKEN → MONTAGEANLEITUNG

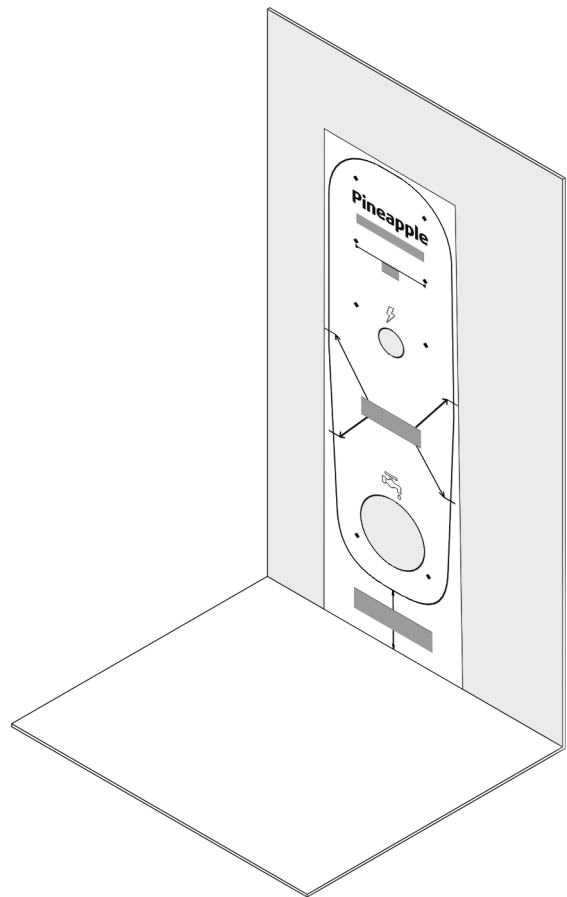
03

Befestigen Sie die mitgelieferte Wandschablone an der gewünschten Montagestelle an der Wand. Stellen Sie sicher, dass sich die Umriss des Waschbeckens in der richtigen Höhe befinden. Markieren Sie die acht Befestigungslöcher für die Wand. (⊕).

Markieren Sie die 100 Millimeter [3,94] große Öffnung für die Elektrik (⚡). Stellen Sie sicher, dass sie mit der vormontierten Anschlussdose übereinstimmt.

Markieren Sie die 250 Millimeter [9,84] große Öffnung für den Wasserzulauf/-ablauf an der Wand (⚙️).

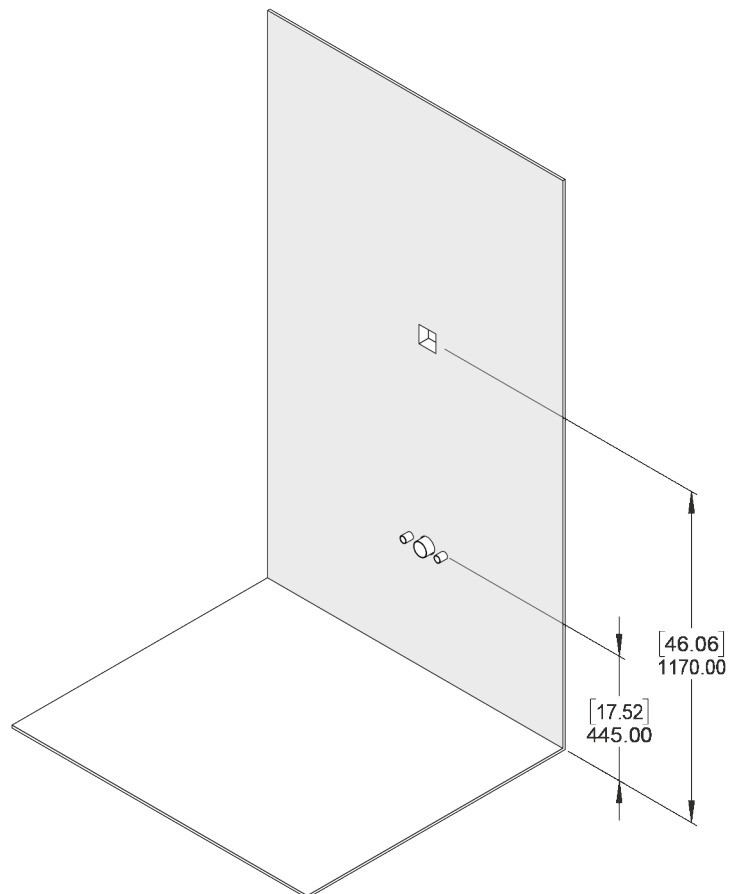
Markieren Sie die Positionen der Magnetschrauben zur späteren Orientierung (Empfehlung: Klebeband mit geringer Klebekraft). Entfernen Sie die Schablone von der Wand.



04

Verlegen Sie die elektrischen Anschlüsse durch die mit (⚡) gekennzeichnete Anschlussdose.

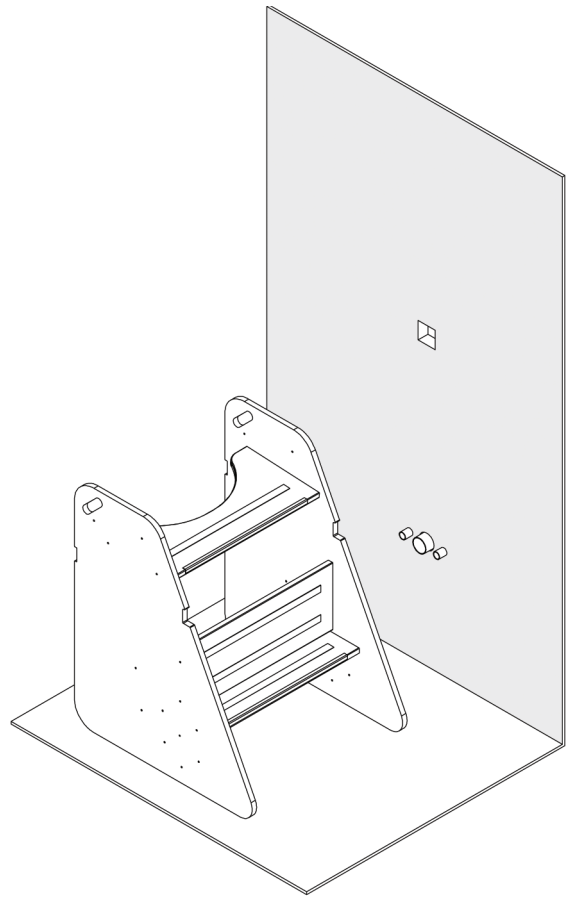
Führen Sie die Warm- und Kaltwasserzuläufe sowie den Abwasserablauf zu der mit (⚙️) gekennzeichneten Öffnung.



ARC WASCHBECKEN → MONTAGEANLEITUNG

05

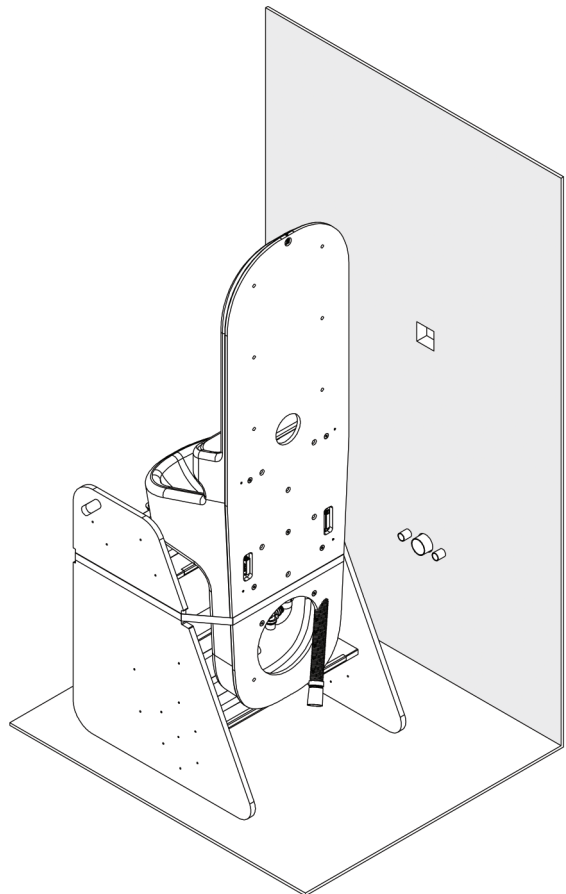
Bringen Sie den Waschbeckenständer wie angegeben zum Aufstellungsort.



06

Nehmen Sie das Becken aus der Verpackung und stellen Sie es wie abgebildet auf den Ständer. Verwenden Sie mindestens zwei Personen und wenden Sie die geeigneten Verfahren für die manuelle Handhabung an.

Befestigen Sie den Ratschengurt wie abgebildet, um das Becken zu sichern.

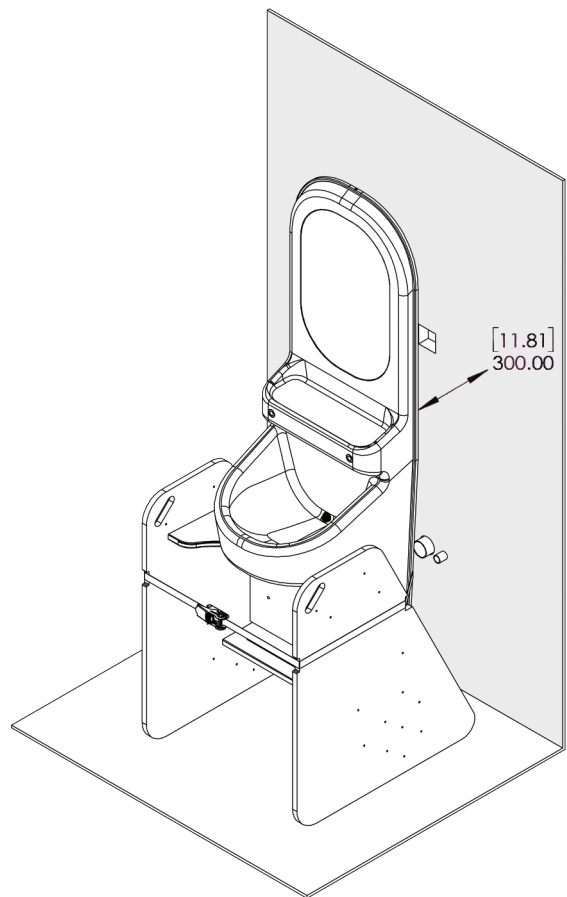


ARC WASCHBECKEN → MONTAGEANLEITUNG

07

Positionieren Sie den Ständer so, dass die Rückwand des Waschbeckens einen Abstand von 300 Millimetern [11,81] zur Wand hat. Stellen Sie sicher, dass die vormontierte Anschlussdose mittig zum Waschbecken ausgerichtet ist.

Der Sockel hebt das Waschbecken um 219 Millimeter [8,6 Zoll] über den Boden.

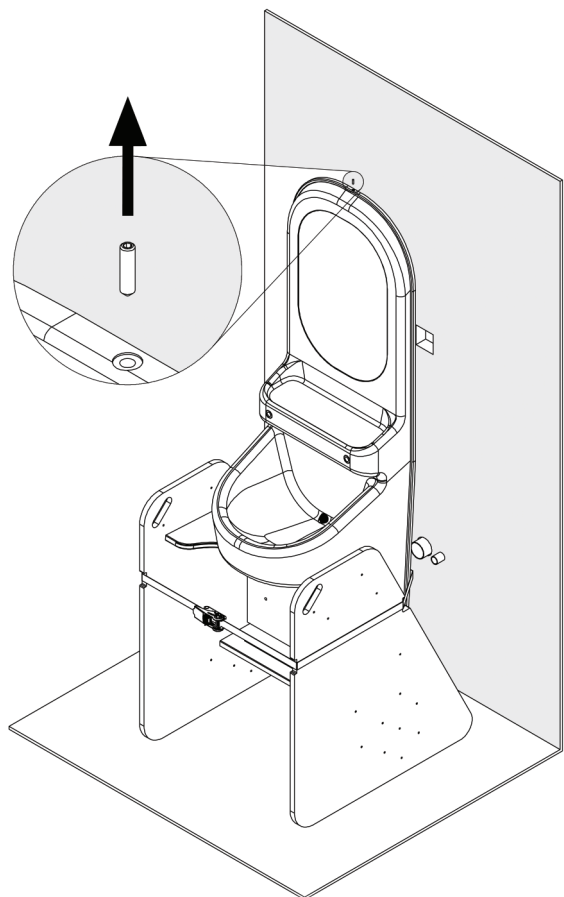


08

Lösen Sie die Innensechskantschraube an der Oberseite des Waschbeckens wie in der Abbildung dargestellt mit einem T40-Schlüssel. Entfernen Sie den Ratschengurt, um den nächsten Schritt vorzubereiten.



WARNUNG - Wenn das Waschbecken nicht mit einem Ratschengurt gesichert ist, besteht erhöhte Kippgefahr. Treffen Sie bei den mit diesem Symbol (links) gekennzeichneten Schritten besondere Vorsichtsmaßnahmen.



ARC WASCHBECKEN → MONTAGEANLEITUNG

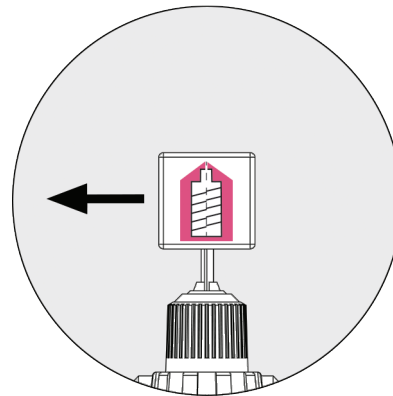
09

Befestigen Sie den Invis Mx2 MiniMag Bohraufsatz an einer Akku-Bohrmaschine und stellen Sie ihn wie in Abbildung A gezeigt auf Rückwärtslauf ein.

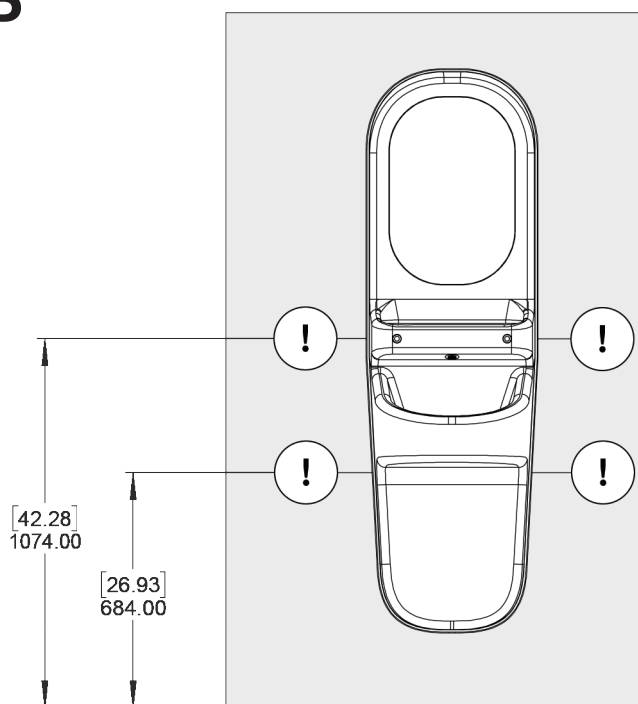
Beachten Sie die vier unsichtbaren Schraubenpositionen, die in Abbildung B, auf der Wandschablone oder anhand früherer Markierungen an der Wand angegeben sind.

Setzen Sie den Aufsatz an den vier genannten Stellen parallel wie in Abbildung C gezeigt and und lassen Sie den Bohrer zehn bis zwanzig Sekunden lang mit hoher Drehzahl laufen, um die Verriegelungen zu lösen. Sobald alle vier Magnetschrauben gelöst sind, können Sie die Rückplatte vom Waschbecken abnehmen.

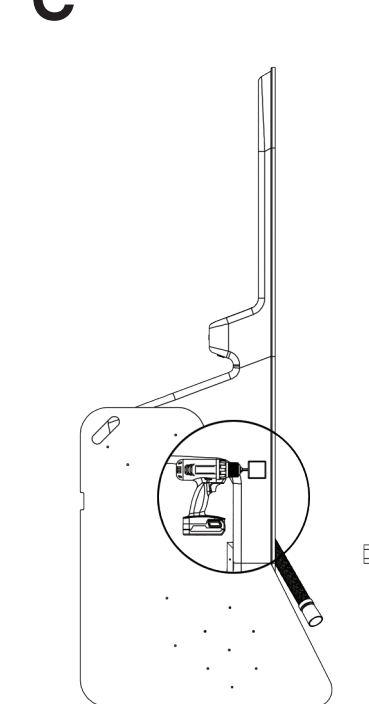
A



B



C



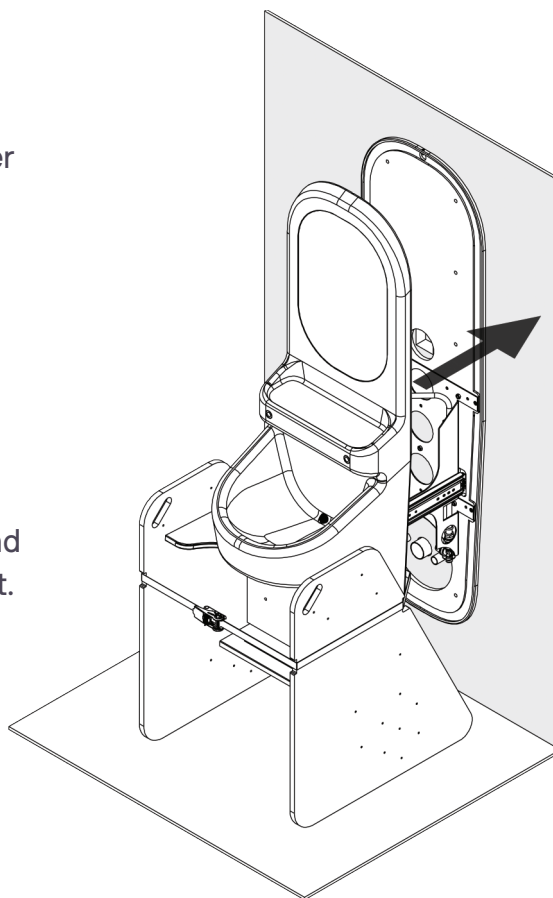
ARC WASCHBECKEN → MONTAGEANLEITUNG

10

Schieben Sie die Rückwand in Richtung der Wand bis zur vollständig ausgefahrenen Position.

Stellen Sie sicher, dass die Rückplatte horizontal und vertikal waagrecht ausgerichtet ist und flach an der Wand anliegt.

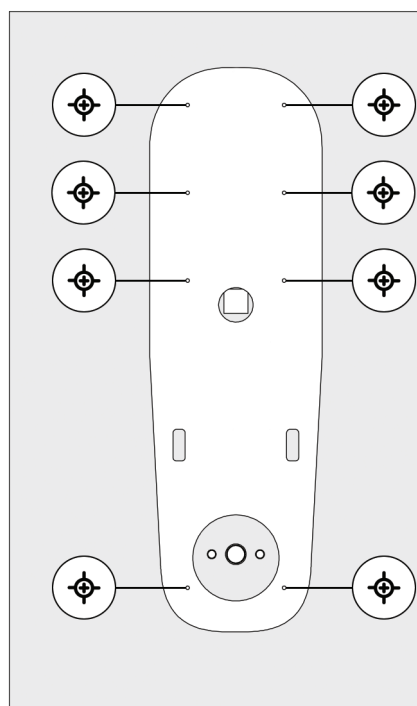
(Bitte beachten Sie, dass sich die Rückwand nicht vollständig vom Becken trennen lässt. Sie lässt maximal 300 Millimeter [11,81] ausfahren.)



11

Befestigen Sie die Rückwand sicher an den acht mit (⊕) markierten Punkten mit geeigneten Befestigungselementen (nicht im Lieferumfang enthalten) an der Wand.

Die Rückwand muss waagrecht und flach an der Wand anliegen. Verwenden Sie gegebenenfalls Unterlegscheiben.



ARC WASCHBECKEN → MONTAGEANLEITUNG

12

! - Nutzen Sie diesen Moment, um sicherzustellen, dass das Waschbecken korrekt an der Wand befestigt ist.

Im geschlossenen und verriegelten Zustand muss das Becken in der Nut der Rückwand sitzen und fest fixiert sein.

Die Rückwand muss bündig mit der Wand abschließen.

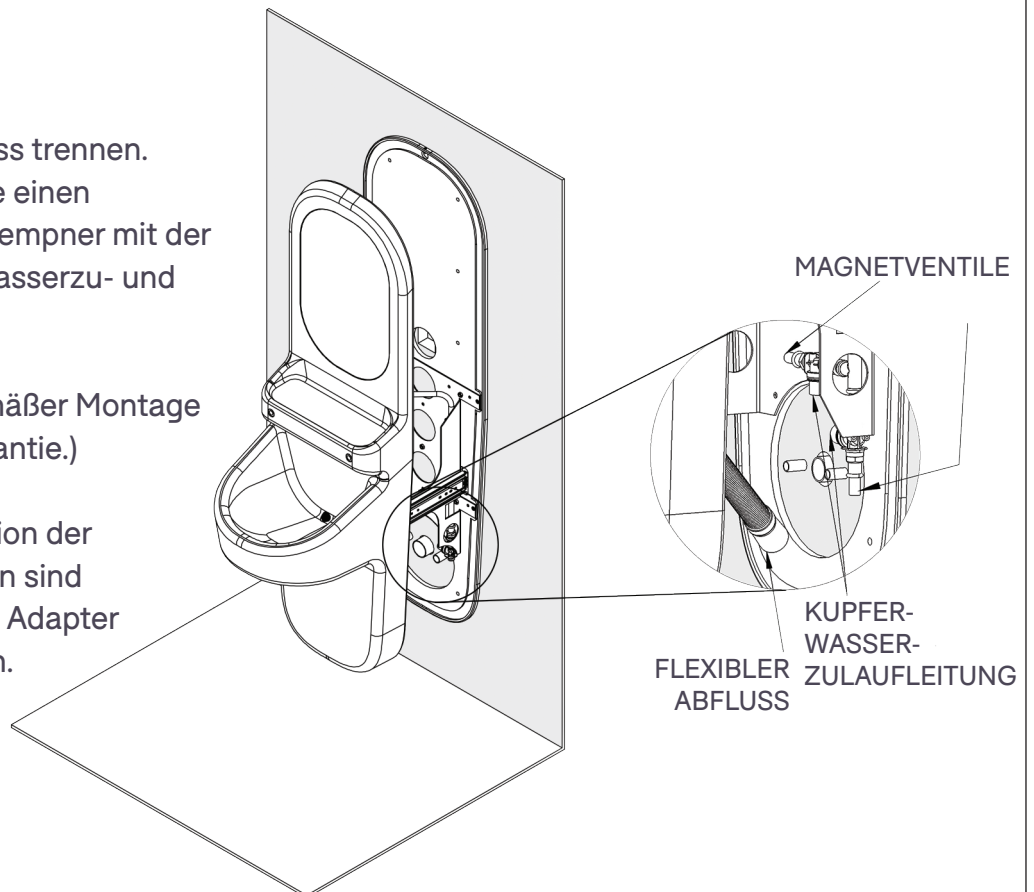


13

Wasseranschluss trennen. Beauftragen Sie einen qualifizierten Klempner mit der Montage der Wasserzu- und abläufe.

(Bei unsachgemäßer Montage erlischt die Garantie.)

Für die Installation der Wasserleitungen sind möglicherweise Adapter erforderlich sein.

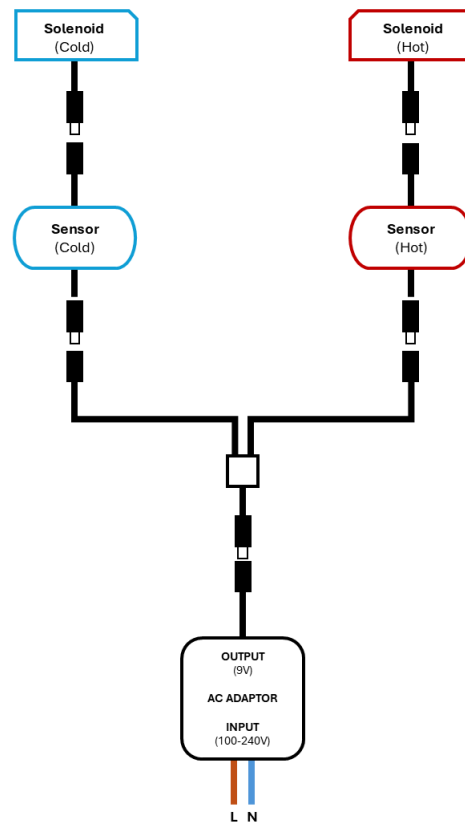


14

Stellen Sie sicher, dass die Stromversorgung unterbrochen ist.

Beziehen Sie sich auf den Schaltplan und lassen Sie die elektrischen Anschlüsse von einem qualifizierten Elektriker vornehmen.

Blau = Kalt
Rot = Heiß



15

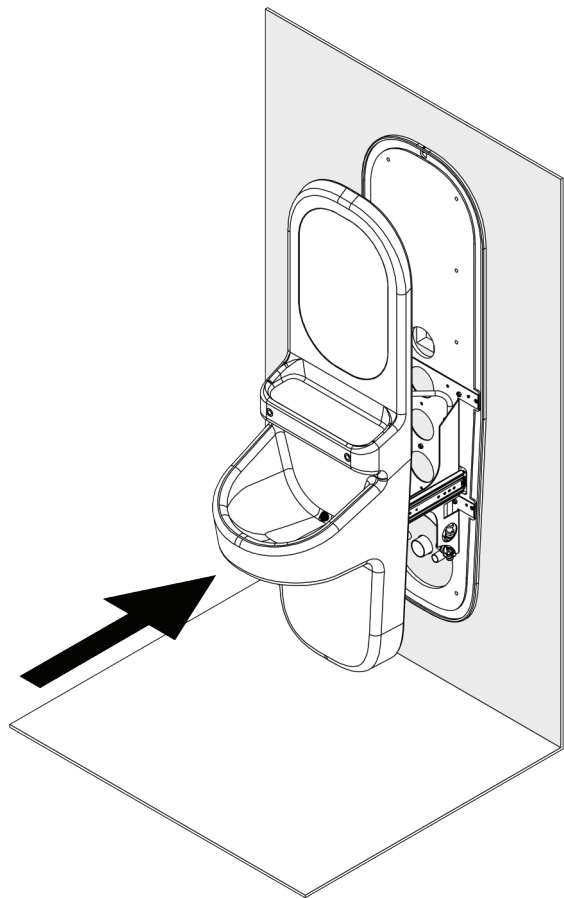
Drehen Sie das Wasser auf und vergewissern Sie sich, dass alle Anschlüsse wasserdicht sind und das Becken wie vorgesehen funktioniert.



**KEINE
UNDICHTIGKEITEN**

16

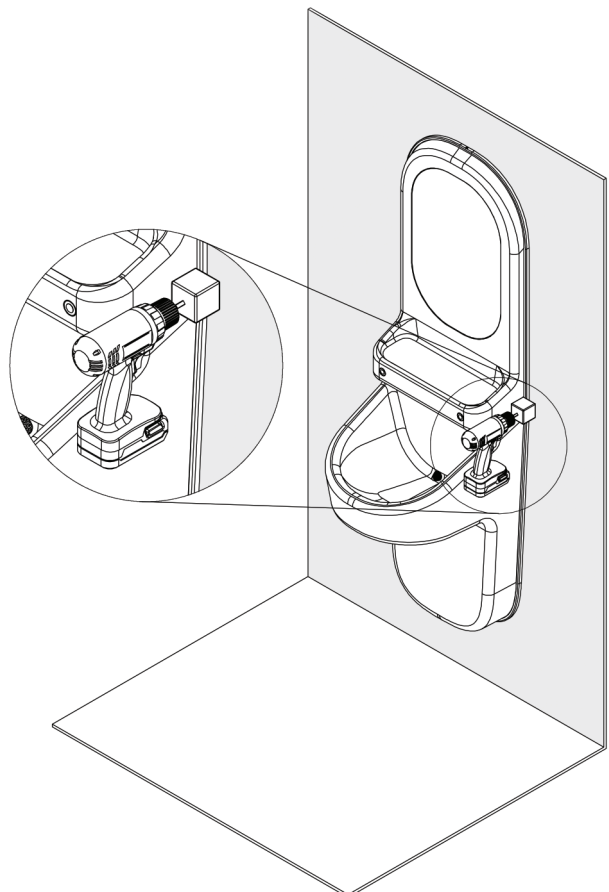
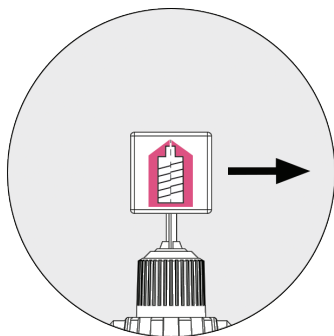
Entfernen Sie den Sockel unter dem Produkt und schieben Sie das Waschbecken nach hinten in Richtung Wand, bis es einrastet.



17

Wiederholen Sie Schritt 9, wobei Sie den Bohrer in Vorwärtsrichtung halten und nun den Bohraufsatz wie angegeben ausrichten.

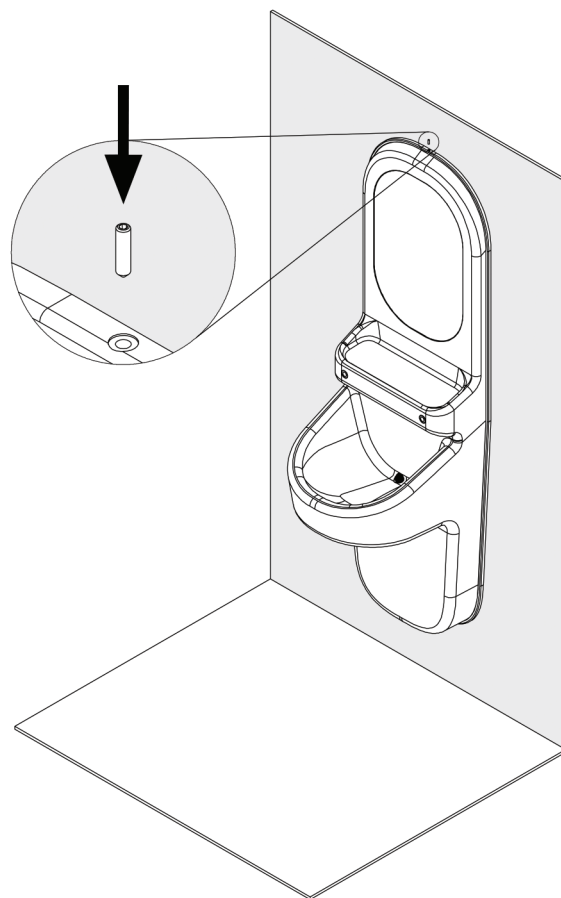
Befestigen Sie das Becken an den zuvor genannten vier unsichtbaren Schraubenpositionen. Alle vier Schrauben müssen fest angezogen werden.



18

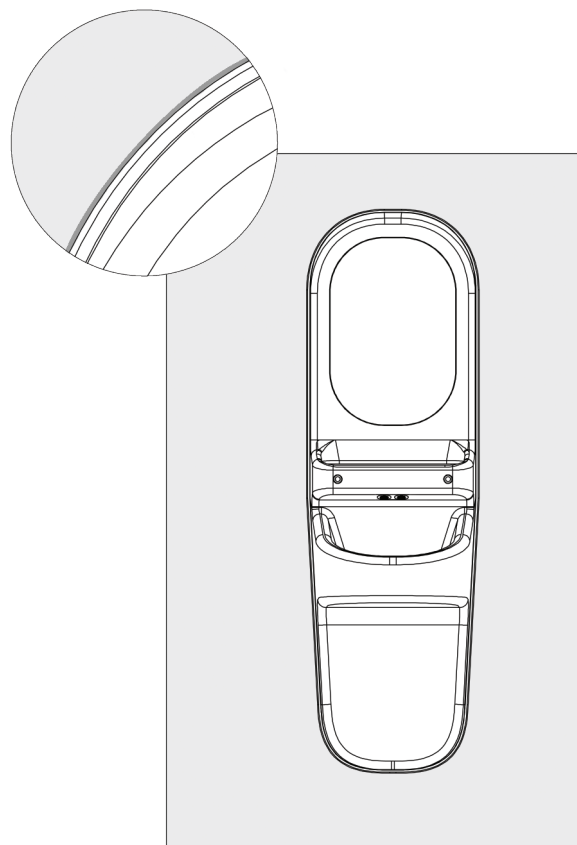
Verwenden Sie einen manipulationssicheren T40-Schlüssel, um die Innensechskantschraube wie in der Abbildung gezeigt von oben in das Becken einzusetzen.

WARNUNG - Mögliche Strangulationsgefahr. Die Schraube darf nicht aus der Oberfläche des Beckens hinausragen. Sie muss vollständig versenkt sein.



19

Tragen Sie um die Kanten herum nicht ablösbare Dichtungsmasse auf und achten Sie darauf, dass zwischen der Rückwand und der Wand keine Lücken entstehen.



ERSTE VERWENDUNG

Wasser wird automatisch abgegeben, sobald der Benutzer seine Hand in die Nähe des Sensors hält. Es wird ein werkseitig voreingestellter Durchflusszyklus von acht Sekunden durchgeführt.

Bitte beachten Sie: Das System ermöglicht es, den Wasserfluss vor Ablauf der voreingestellten Durchflusszeit zu stoppen, indem Sie Ihre Hand wieder in unmittelbare Nähe des Sensorauges halten.

Informationen zur Anpassung der Durchflusseinstellungen für das Becken finden Sie in den Einstellungen der Fernbedienung.

GARANTIE

Sieben Jahre beschränkte Garantie – Spülbeckenkörper

Wir gewähren eine siebenjährige beschränkte Garantie auf Material- und Verarbeitungsfehler des Spülbeckenkörpers. Diese Garantie deckt Mängel ab, die bei normalem Gebrauch auftreten, vorausgesetzt, das Produkt wurde ordnungsgemäß montiert, verwendet und gemäß unseren Pflegehinweisen gewartet.

Zwei Jahre beschränkte Garantie – Elektronik

Alle im Lieferumfang des Spülbeckens enthaltenen elektronischen Komponenten (z. B. Sensoren, LED-Anzeigen, Steuereinheiten) sind ab Kaufdatum durch zwei einjährige beschränkte Garantie gegen Herstellungsfehler abgedeckt.

Ausschlüsse und Beschränkungen

Diese Garantie deckt keine Schäden ab, die durch Folgendes verursacht wurden:

Unsachgemäße Montage oder Wartung

Unfälle, Missbrauch, unsachgemäße Verwendung oder Nachlässigkeit

Normale Abnutzung, Kratzer oder Oberflächenbeschädigungen durch

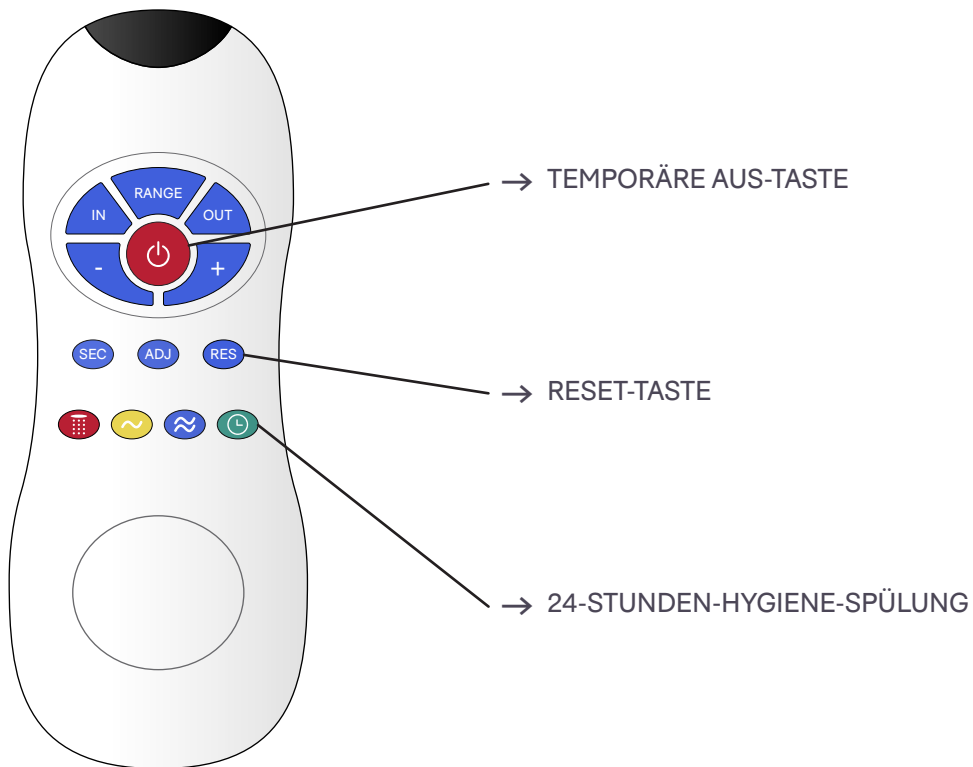
Reinigungschemikalien oder scheuernde Materialien

Modifikationen oder Reparaturen durch nicht autorisierte Dienstleister

Diese Garantie ist nicht übertragbar und gilt nur für den Erstkäufer.

FERNBEDIENUNGSANLEITUNG

Über die Fernbedienung können benutzerdefinierte Einstellungen für eine einfache Wartung vorgenommen werden.



→ 24-STUNDEN-HYGIENE-SPÜLUNG

Diese Funktion ist ideal, um die Hygiene zu maximieren und Legionellen und andere Krankheiten zu verhindern. Sie hilft auch, das Einfrieren der Leitungen zu verhindern, indem sie dafür sorgt, dass Wasser alle vierundzwanzig Stunden durch die Rohre fließt. Um die Hygienespülung zu aktivieren oder zu deaktivieren, drücken Sie die Uhr-Taste. Warten Sie, bis die rote Kontrollleuchte des Sensors kurz aufleuchtet. Drücken Sie dann +, um die Hygienespülung zu aktivieren, oder -, um sie zu deaktivieren.



→ TEMPORÄRE AUS-TASTE

Diese Funktion eignet sich ideal, um Tätigkeiten auszuführen, ohne das System zu betätigen (z. B. Reinigung). Wasserhähne und Spülventile bleiben eine Minute lang geschlossen, wenn diese Taste einmal gedrückt wird. Um diese Funktion abzubrechen und zum Normalbetrieb zurückzukehren, drücken Sie die Ein-/Aus-Taste erneut oder warten Sie eine Minute.



→ RESET-TASTE

Mit dieser Funktion kann der Sensor auf die werkseitigen Standardeinstellungen zurückgesetzt werden.

REINIGUNGSANWEISUNG

→ Tägliche Reinigung:

Für die tägliche Reinigung zur Entfernung von Staub, leichten Flecken und alltäglichem Schmutz:

Verwenden Sie Seifenwasser, ein mildes Reinigungsmittel oder einen Reiniger auf Ammoniakbasis.

Seifenwasserlösung: Mischen Sie einen Tropfen Spülmittel in einen Liter warmes Wasser.

Reiniger auf Ammoniakbasis: Befolgen Sie stets die Anweisungen des Herstellers.

Tragen Sie die Reinigungslösung mit einem Mikrofasertuch auf. So wird eine gründliche Reinigung ermöglicht, ohne die Oberfläche zu zerkratzen oder ihren Glanz zu beeinträchtigen.



→ Fleckenentfernung:

Verwenden Sie bei hartnäckigeren Flecken und Verschmutzungen je nach Art des Flecks die folgenden Methoden:

Große oder hartnäckige Flecken:

1. Mischen Sie zehn Milliliter Chlorbleiche mit einem Liter Wasser.
2. Wischen Sie die Oberfläche mit einem mit der Bleichlösung befeuchteten Mikrofasertuch ab.
3. Wischen Sie anschließend mit warmem Wasser und einem sauberen Mikrofasertuch nach.
4. Trocknen Sie die Stelle mit einem Papiertuch oder einem Mikrofasertuch.

Allgemeine Flecken:

Verwenden Sie ein Clorox-Tuch, um den betroffenen Bereich zu reinigen.

Hitzeflecken (z. B. von Haarglätttern):

Kleinere Flecken können von den Mitarbeitern von Pineapple Contracts entfernt werden (Hinweis: Hierfür können zusätzliche Kosten anfallen).

Um Hitzeschäden zu vermeiden, sollten Sie keine heißen Gegenstände direkt auf die Oberfläche stellen.

Tinten- oder Stiftflecken:

1. Tragen Sie 5 ml Handdesinfektionsmittel oder Isopropylalkohol auf den Tintenfleck auf.
2. Reiben Sie ihn vorsichtig mit einem Mikrofasertuch ab und wischen Sie ihn dann mit einem Papiertuch weg.
3. Falls erforderlich reinigen Sie die Stelle anschließend mit Seifenwasser oder einer Bleichlösung (abhängig von der Größe des Flecks).

→ Monatliche Grundreinigung:

Eine Grundreinigung wird einmal im Monat empfohlen, um die Hygiene zu gewährleisten und Geruchsbildung vorzubeugen:

1. Mischen Sie zehn Milliliter Chlorbleiche mit zehn Litern Wasser.
2. Tränken Sie ein Mikrofasertuch mit der Lösung und wischen Sie das gesamte Waschbecken ab, sodass die Oberfläche nass bleibt.
3. Lassen Sie die Lösung zehn bis fünfzehn Minuten einwirken.
4. Wischen Sie das Spülbecken mit einem sauberen Tuch trocken.
5. Reinigen Sie das Spülbecken mit warmem Seifenwasser und einem Küchenschwamm.
6. Trocknen Sie das Spülbecken abschließend mit einem sauberen, trockenen Tuch ab.

→ Wichtige Warnhinweise: Was Sie vermeiden sollten

Vermeiden Sie, dass aggressive Chemikalien (z. B. starke Säuren, starke Basen, Farbverdünner, Waschbenzin) auf Oberflächen zurückbleiben.

Vermeiden Sie es, Nagellackentferner auf Acetonbasis im Badezimmer zu verschütten.

Wenn solche Chemikalien mit der Oberfläche in Kontakt kommen :

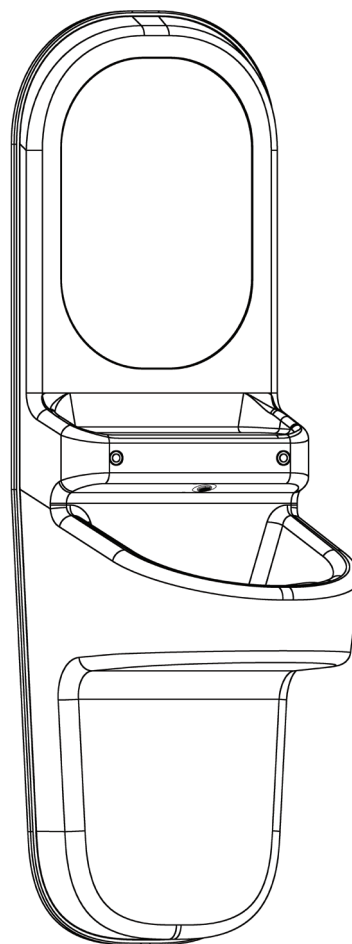
1. Reinigen Sie die Stellen sofort mit Seifenwasser und einem Tuch.
2. Wenn Rückstände zurückbleiben, befolgen Sie die oben angegebenen Anweisungen zur Fleckenentfernung.
3. Wischen Sie abschließend die gesamte Oberfläche ab, um sicherzustellen, dass keine chemischen Spuren zurückbleiben.



ARC LAVABO ACCESSIBILE (SOLO UK E UE)

→ MANUALE UTENTE

→ La gamma di lavabi Arc è fornita di serie con attacchi di ingresso per acqua calda e fredda da 15 mm per il rubinetto e con un'uscita di scarico flessibile universale.



AVVERTENZA: Leggere questo documento prima dell'installazione.

- Raccogliere tutta l'attrezzatura necessaria prima dell'installazione.
- Per completare l'installazione sono necessarie almeno 2 persone.
- Indossare guanti durante la movimentazione del lavabo.
- L'installazione e la messa in opera devono essere eseguite esclusivamente da personale autorizzato e qualificato.
- Sono necessari un elettricista e un idraulico qualificati.

Versione 3.8 aggiornata al 05/02/2026



+44 (0)1622 237830

sales@pineapplecontracts.com

Pineapple

→ Dichiarazione di responsabilità	_____	80
→ Disegni tecnici	_____	81
→ Componenti	_____	82
→ Attrezzatura necessaria	_____	82
→ Prima dell'installazione	_____	83
→ Guida all'installazione	_____	84
→ Primo utilizzo	_____	94
→ Garanzia	_____	94
→ Istruzioni per il telecomando	_____	95
→ Pulizia	_____	96
→ Note	_____	97

DICHIARAZIONE DI RESPONSABILITÀ

Ogni sforzo è stato fatto per fornire informazioni corrette all'interno di questo manuale. Questo manuale è specifico per il prodotto con cui è stato fornito alla data di consegna.

Pineapple Contracts si riserva il diritto di modificare, aggiornare o migliorare le specifiche del prodotto e/o il manuale utente in qualsiasi momento senza preavviso. Pineapple Contracts non sarà responsabile per eventuali danni o perdite derivanti dal fatto che la persona che installa, utilizza o si occupa della manutenzione dell'unità non abbia letto o rispettato le istruzioni del manuale.

Per informazioni complete sulla garanzia, consultare la sezione Garanzia a pagina 94 di questo manuale.

→ Installazione corretta:

L'installazione del lavabo, come specificato in questo manuale, deve necessariamente essere eseguita da professionisti autorizzati e qualificati (sono necessari un elettricista e un idraulico qualificati).

Seguire tutte le istruzioni di installazione fornite in questo manuale.

Non modificare la procedura di installazione né manomettere la struttura.

→ Utilizzo sicuro e movimentazione:

Utilizzare il prodotto entro i limiti di potenza e condizioni ambientali specificati. Seguire le corrette linee guida per la movimentazione del lavabo durante l'installazione.

→ Manutenzione:

Controllare regolarmente eventuali danni o usura ed eseguire la pulizia ordinaria come raccomandato.

Non tentare riparazioni non autorizzate o smontaggi oltre quanto indicato in questo manuale.

Utilizzare solo accessori e prodotti di pulizia compatibili.

→ Responsabilità ambientale:

Smaltire correttamente il prodotto, l'imballaggio, l'elettronica e i rivestimenti, in conformità con le normative locali.

Utilizzare le informazioni fornite per il riciclaggio e lo smaltimento.

→ Condizioni di garanzia:

Si ricorda che la mancata osservanza delle responsabilità dell'utente può invalidare la garanzia.

Conservare la prova di acquisto e di installazione per eventuali richieste di garanzia.

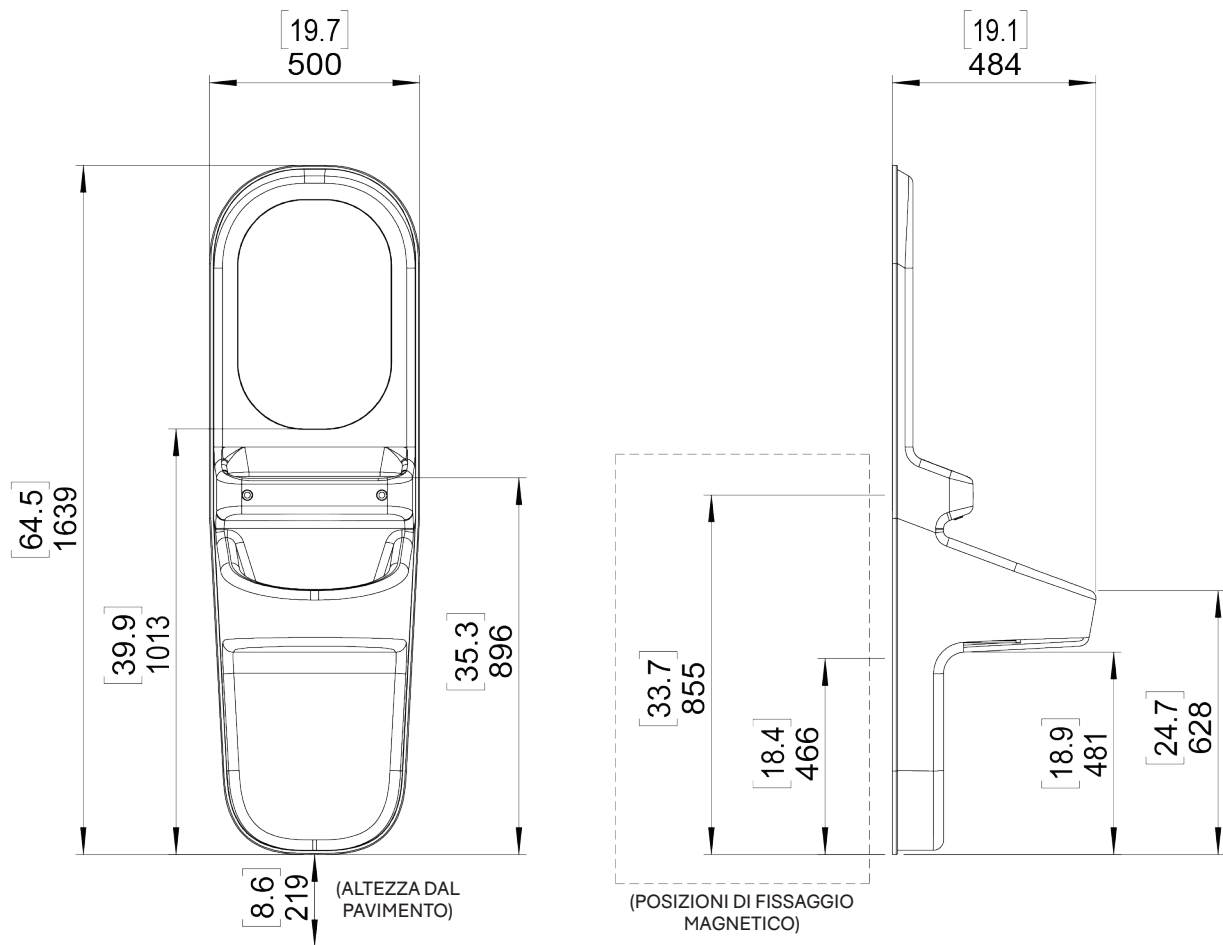
→ Segnalazione problemi:

Segnalare immediatamente eventuali problemi operativi o di sicurezza al produttore o al fornitore.

→ Immagini del manuale:

Si segnala che le immagini presenti in questo manuale sono solo a scopo illustrativo e potrebbero non rappresentare esattamente il modello indicato.

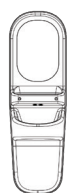
Lavabo Arc (Accessibile)



[] = Pollici

= Millimetri

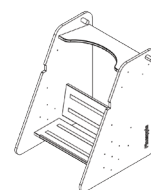
COMPONENTI



Lavabo Arc
(Accessibile)



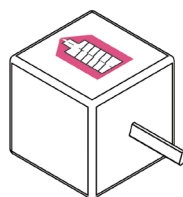
Mascherina da
parete



Supporto lavabo
(assemblato)*

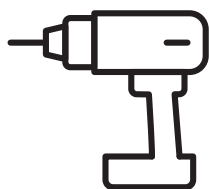


Telecomando*



Punta da trapano
Invis Mx2 MiniMag*

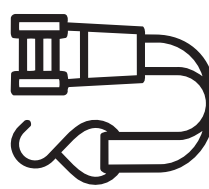
ATTREZZATURA NECESSARIA



Trapano a
batteria



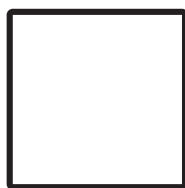
Guanti



Cinghia a
cricchetto



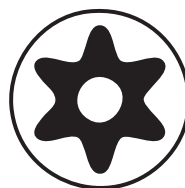
Scala



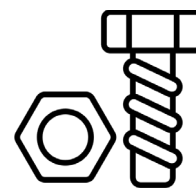
Scatola di derivazione
(preinstallata)



Livella a bolla



Chiave T40 a prova
di manomissione



Materiale idoneo per il
fissaggio a parete

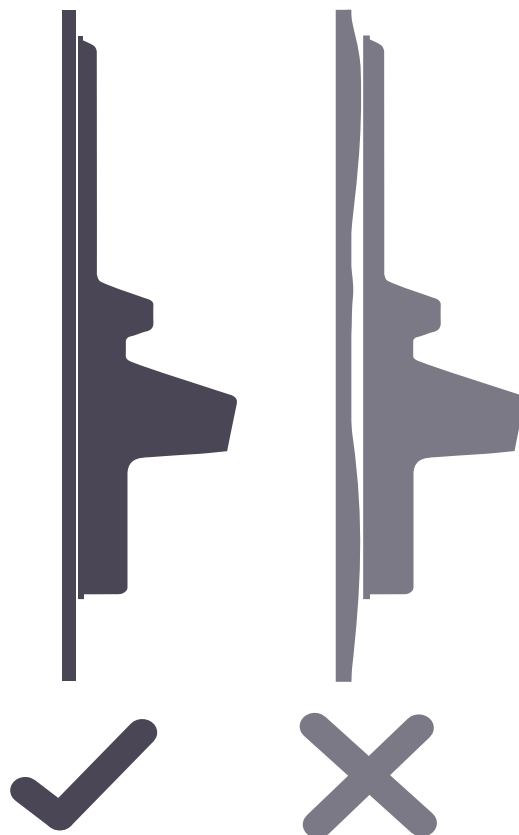
*1 pezzo fornito per ogni ordine

PRIMA DELL'INSTALLAZIONE

REQUISITI DELLA PARETE

- Le pareti devono essere livellate e lisce, di materiale sufficientemente resistente per il fissaggio.
- Prestare attenzione affinché la capacità di carico della parete sia adeguata al modello di lavabo Arc da installare.
- Assicurarsi di utilizzare fissaggi idonei per ancorare il prodotto alla parete (non forniti).
- Se necessario, rinforzare la parete prima dell'installazione.

Peso del prodotto -
Lavabo Arc (Accessibile) – **64.5 kg**

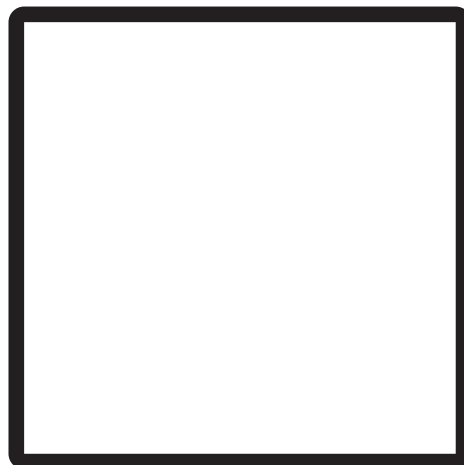


INSTALLAZIONE DELLA SCATOLA DI DERIVAZIONE

Assicurarsi che tutte le fonti elettriche siano scollegate e isolate prima di iniziare l'installazione.

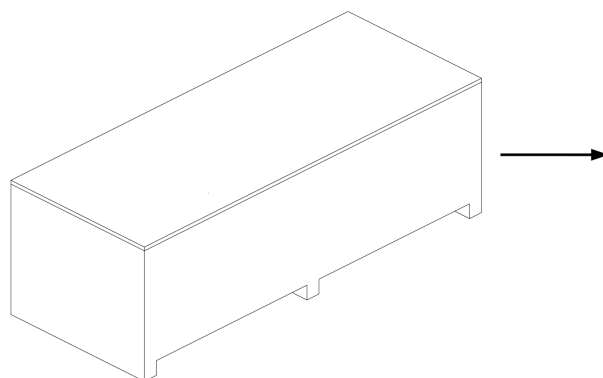
Successivamente, installare una scatola di derivazione incassata nella parete.

Installare la scatola di derivazione a 1170 mm dal pavimento, in linea con il foro elettrico da 100 mm contrassegnato con (⚡).



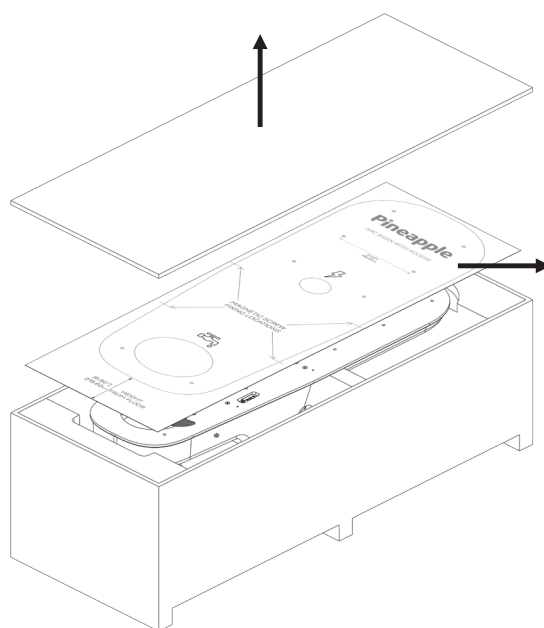
01

Avvicinare il prodotto ancora imballato il più possibile all'area di installazione prima di iniziare.



02

Rimuovere il coperchio per prelevare la mascherina da parete.



03

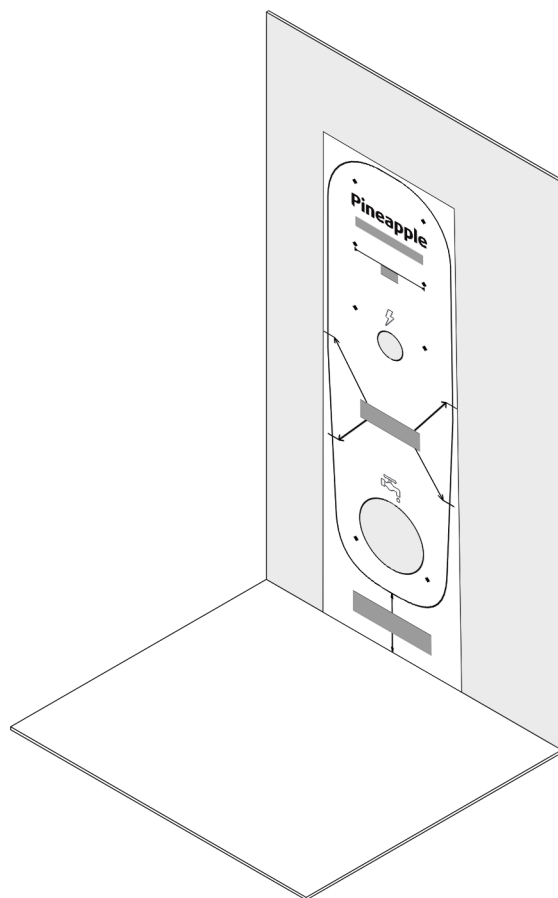
Fissare la mascherina fornita alla parete nel punto di installazione desiderato. Assicurarsi che il contorno del lavabo sia all'altezza corretta.

Segnare gli otto fori di fissaggio a parete (⊕).

Segnare il foro elettrico da 100 mm (⚡). Assicurarsi che sia allineato con la scatola di derivazione preinstallata.

Segnare il foro per ingresso/uscita dell'acqua da 250 mm sulla parete (⚙️).

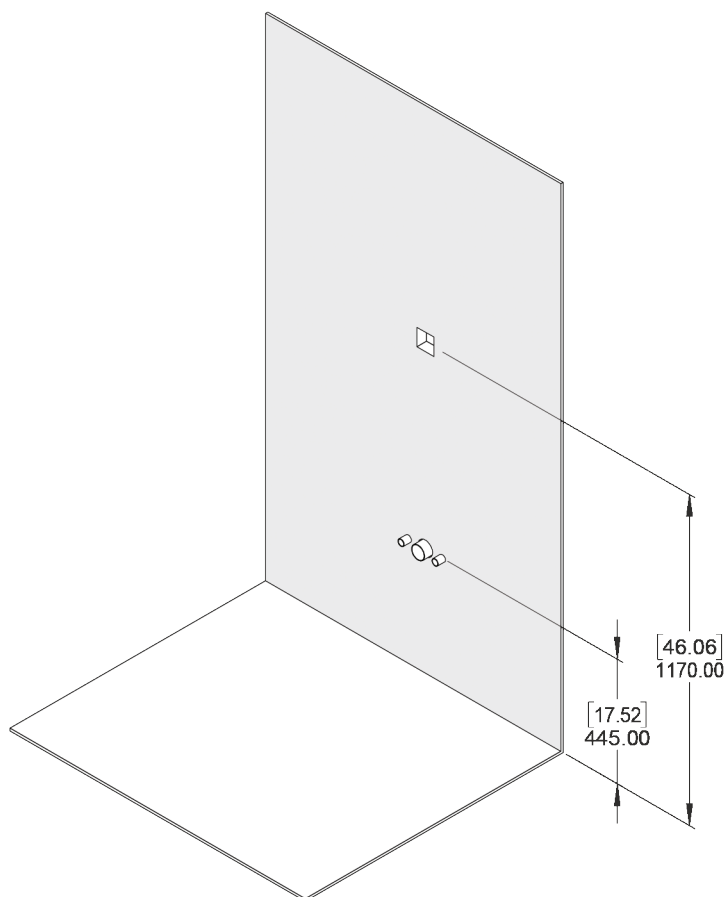
Segnare la posizione delle viti magnetiche per un riferimento futuro (si consiglia di usare nastro adesivo a bassa adesione). Rimuovere la mascherina dalla parete.



04

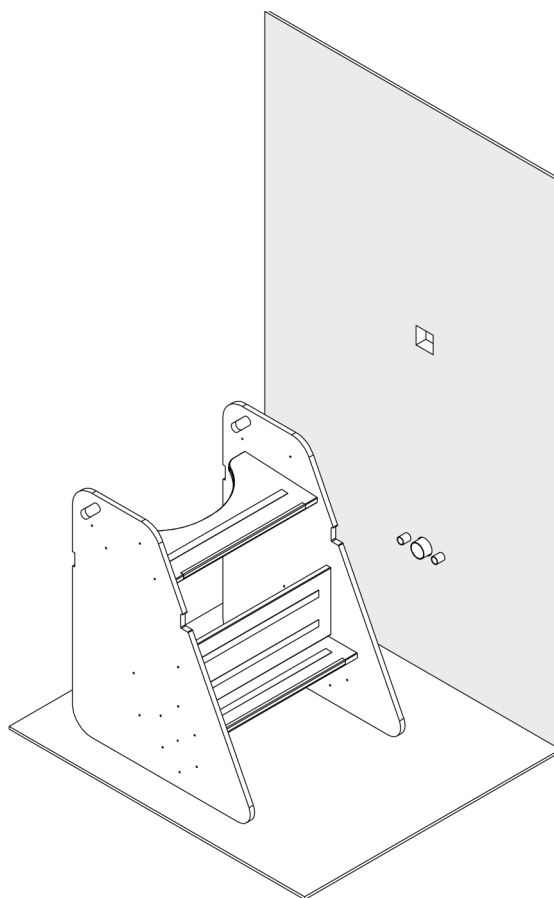
Passare i collegamenti elettrici attraverso la scatola di derivazione contrassegnata con (⚡).

Portare gli attacchi dell'acqua calda e fredda e lo scarico al foro contrassegnato con (⚙️).



05

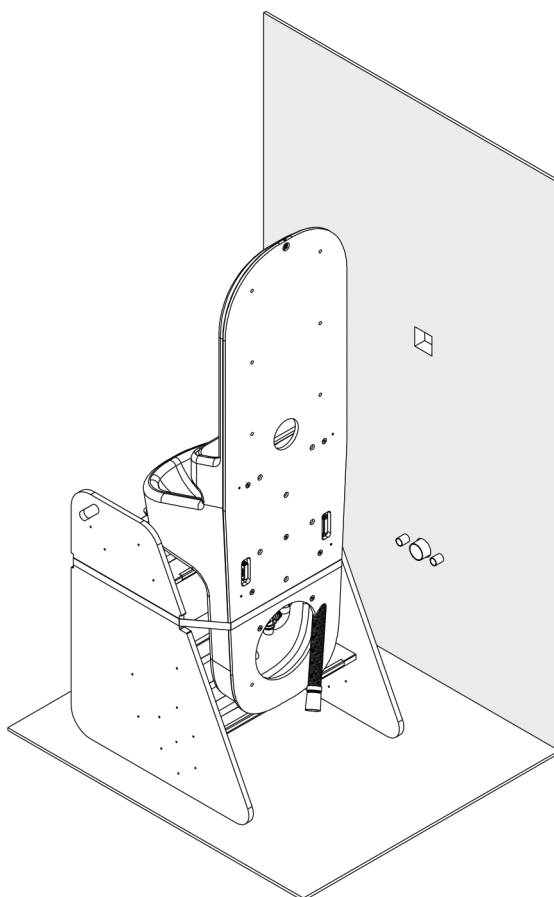
Portare il supporto del lavabo nell'area di installazione come indicato.



06

Rimuovere il lavabo dall'imballaggio e posizionarlo sul supporto come indicato. Utilizzare almeno due persone e seguire le corrette procedure di movimentazione.

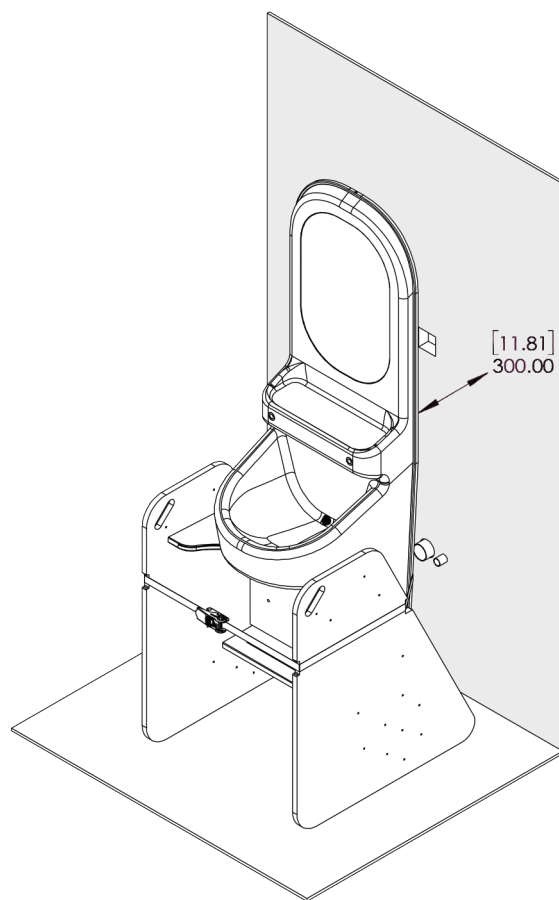
Fissare la cinghia a cricchetto come indicato per assicurare il lavabo al supporto.



07

Riposizionare il supporto in modo che la piastra posteriore del lavabo sia a 300 mm dalla parete. Assicurarsi che la scatola di derivazione preinstallata sia centrata rispetto al lavabo.

Il supporto solleverà il lavabo di 219 mm dal pavimento.

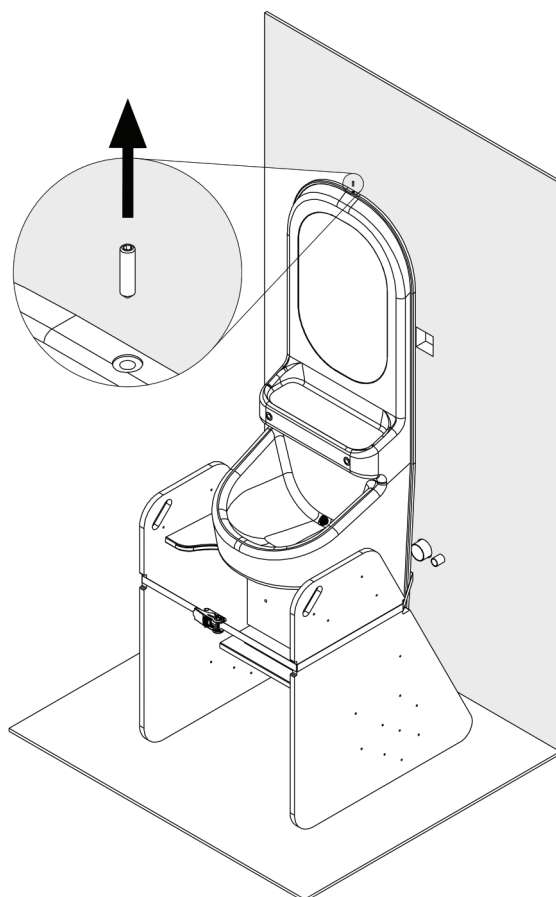


08

Svitare la vite posizionata nella parte superiore della piastra del lavabo come indicato nello schema, utilizzando una chiave a brugola T40. Rimuovere la cinghia a cricchetto in preparazione al passo successivo.



AVVERTENZA -
Quando il lavabo non è fissato con la cinghia a cricchetto, aumenta il rischio di ribaltamento. Prestare particolare attenzione nei passaggi contrassegnati con il simbolo qui a sinistra.



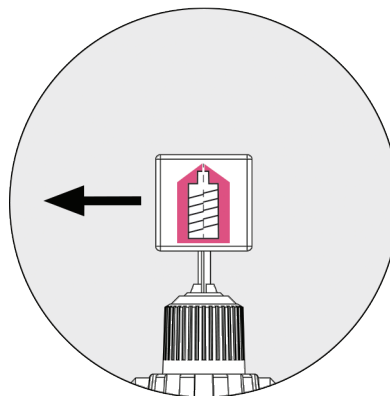
09

Inserire l'accessorio da trapano Invis Mx2 MiniMag nel trapano a batteria e impostare il verso di rotazione al contrario, come mostrato nello schema A.

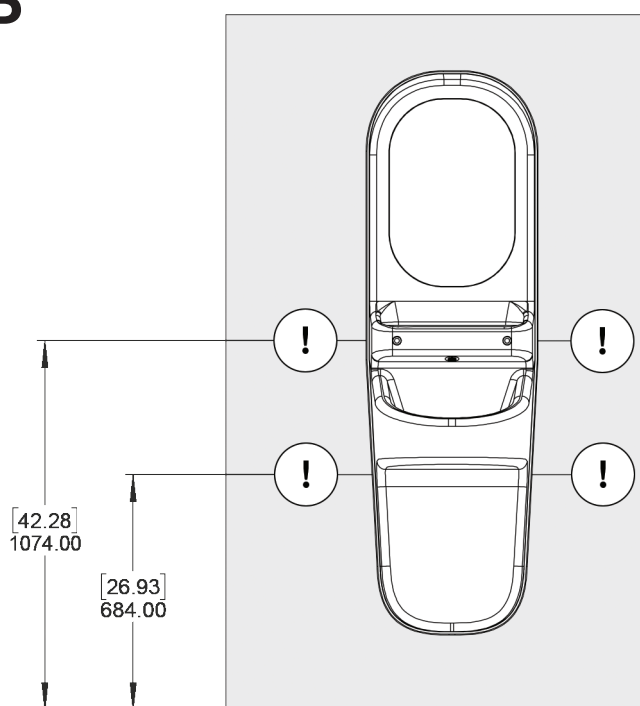
Individuare le quattro posizioni delle viti nascoste indicate nello schema B, facendo riferimento alla mascherina da parete o ai precedenti segni sulla parete.

Nelle quattro posizioni indicate, posizionare l'accessorio da trapano parallelamente come mostrato nello schema C e azionare il trapano ad alta velocità per dieci/venti secondi per sbloccare le viti. Una volta sbloccate tutte e quattro le viti magnetiche, sarà possibile far scorrere la piastra posteriore del lavabo.

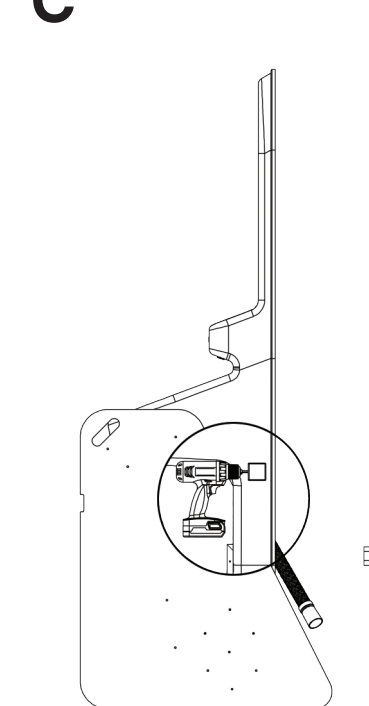
A



B



C

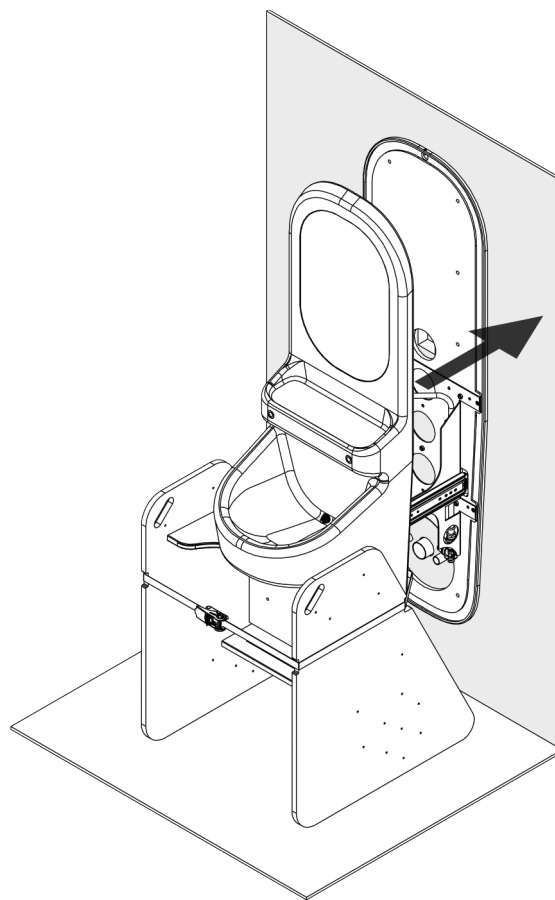


10

Far scorrere la piastra posteriore verso la parete fino alla posizione completamente estesa.

Assicurarsi che la piastra posteriore sia livellata orizzontalmente, verticalmente e a filo della parete.

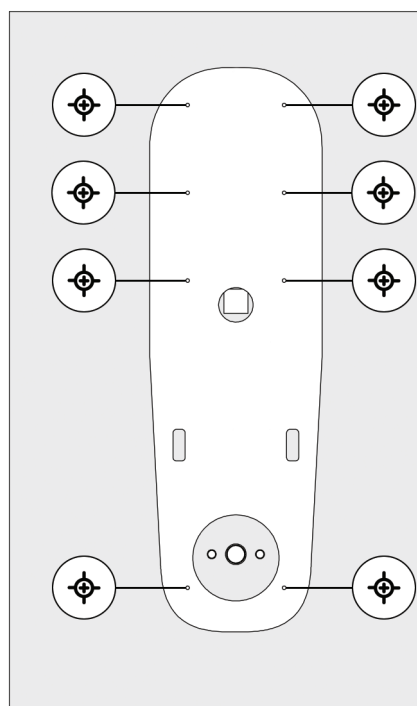
(Nota: la piastra posteriore non si separa completamente dal lavabo; si estende al massimo 300mm.)



11

Fissare saldamente la piastra posteriore alla parete nei punti contrassegnati da (⊕), utilizzando i fissaggi idonei (non forniti).

La piastra posteriore deve essere livellata e a filo della parete. Utilizzare distanziatori se necessario.

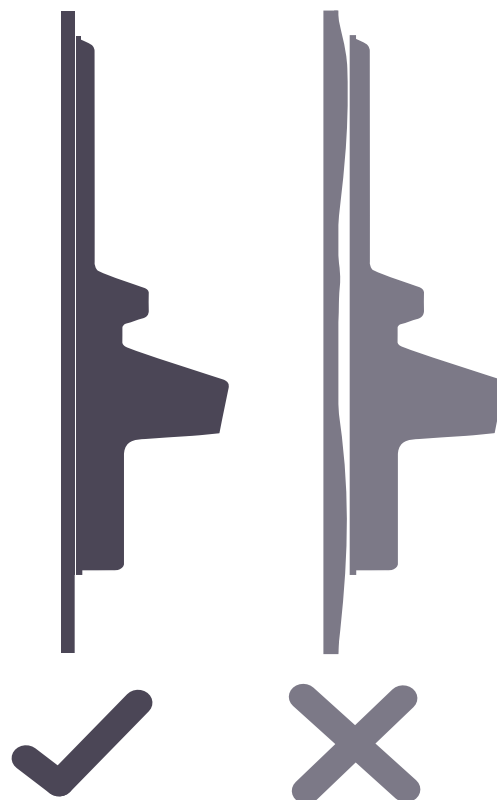


12

! - In questa fase assicurarsi che il lavabo sia correttamente posizionato rispetto alla parete.

Una volta chiuso e bloccato, il lavabo deve trovarsi nella scanalatura della piastra posteriore e fissato saldamente.

La piastra posteriore deve essere montata a filo della parete.

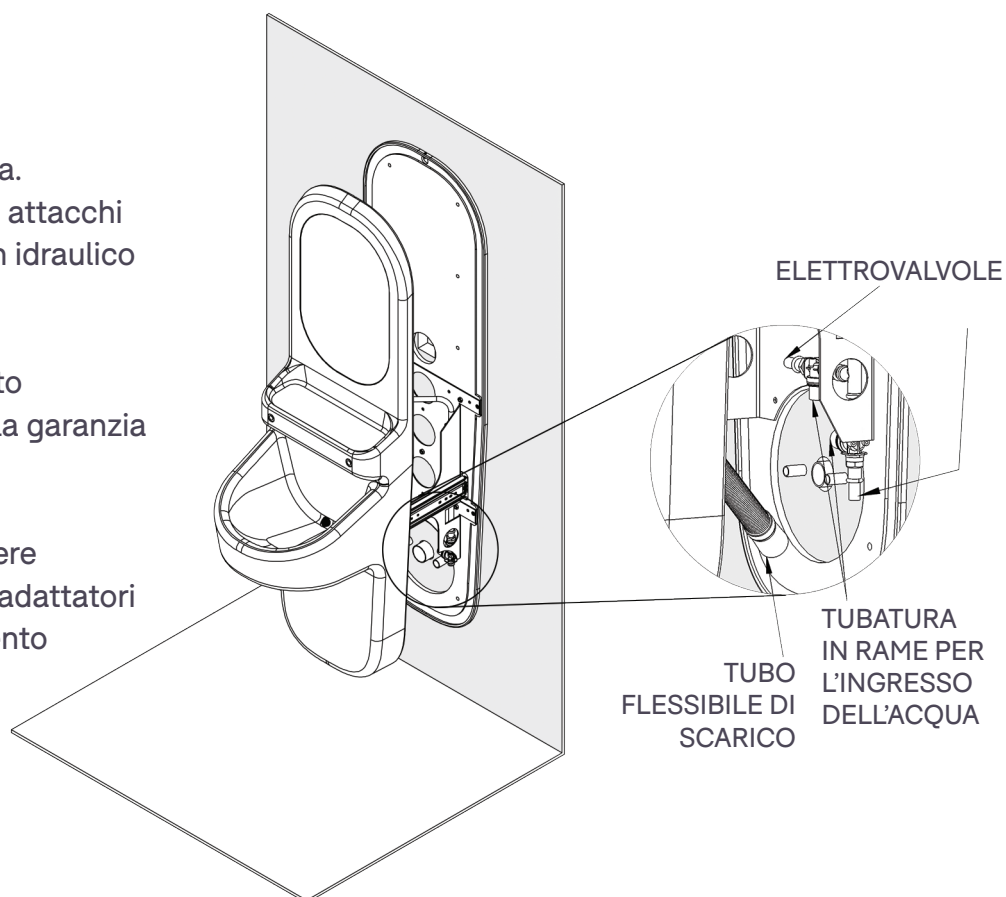


13

Chiudere l'acqua.
Far installare gli attacchi dell'acqua da un idraulico qualificato.

(Se non installato correttamente, la garanzia sarà invalidata).

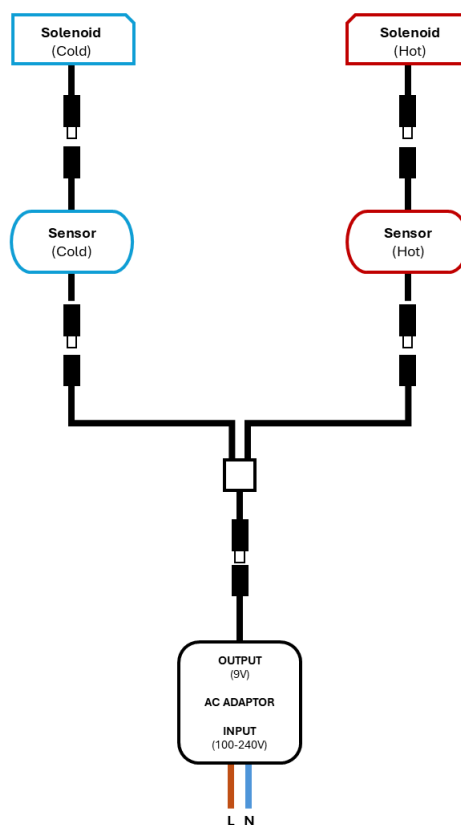
Potrebbero essere necessari degli adattatori per il collegamento idraulico.



14

Assicurarsi che l'alimentazione elettrica sia scollegata.
Fare riferimento allo schema elettrico e far fare i collegamenti da un elettricista qualificato.

Blu = Acqua Fredda
Rosso = Acqua Calda



15

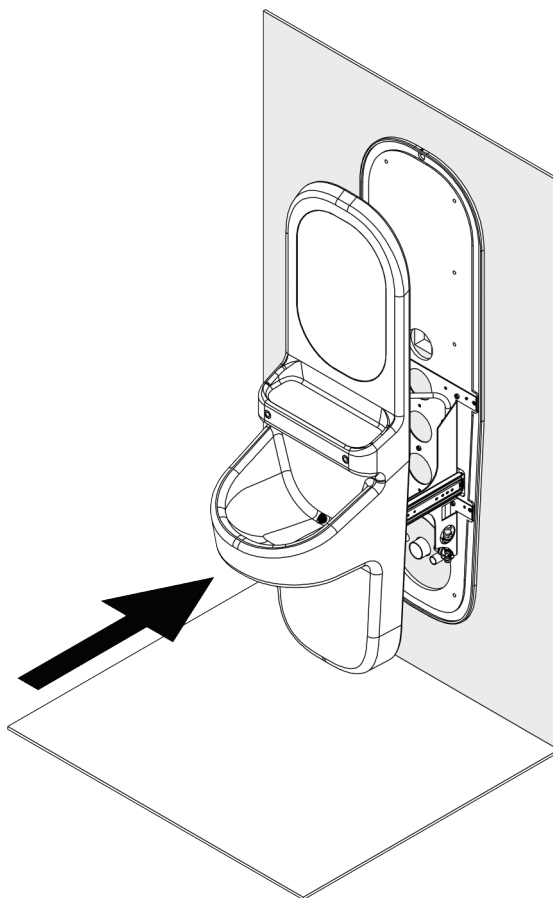
Aprire l'acqua e assicurarsi che tutti i collegamenti siano a tenuta e che il lavabo funzioni correttamente.



NESSUNA PERDITA

16

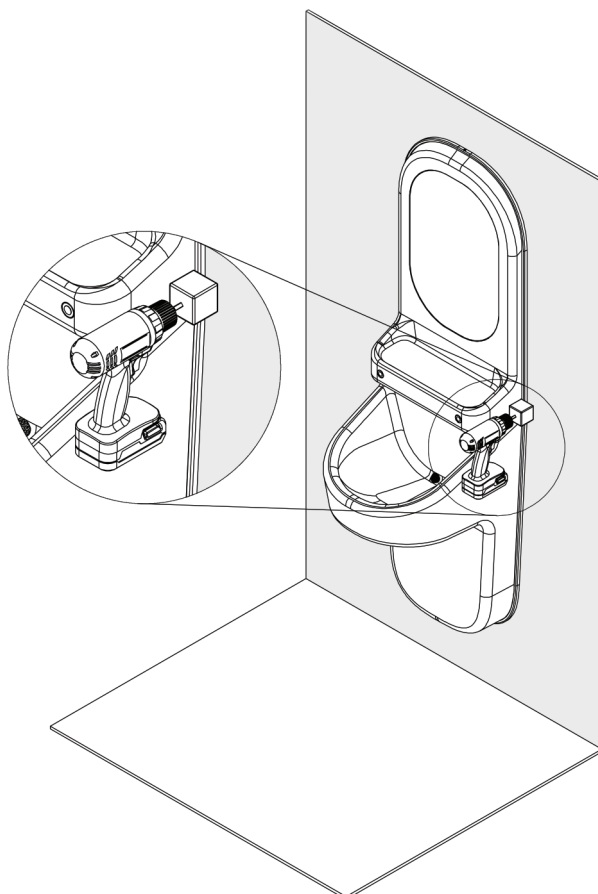
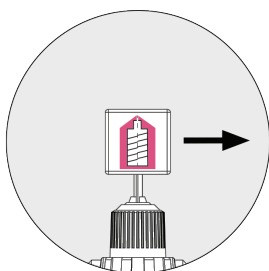
Rimuovere il supporto sotto l'unità, quindi far scorrere il lavabo verso la parete fino a completa chiusura.



17

Ripetere il passaggio 9, impostando il trapano sul verso di rotazione di avvitamento e orientando l'accessorio da trapano Invis Mx2 MiniMag come indicato.

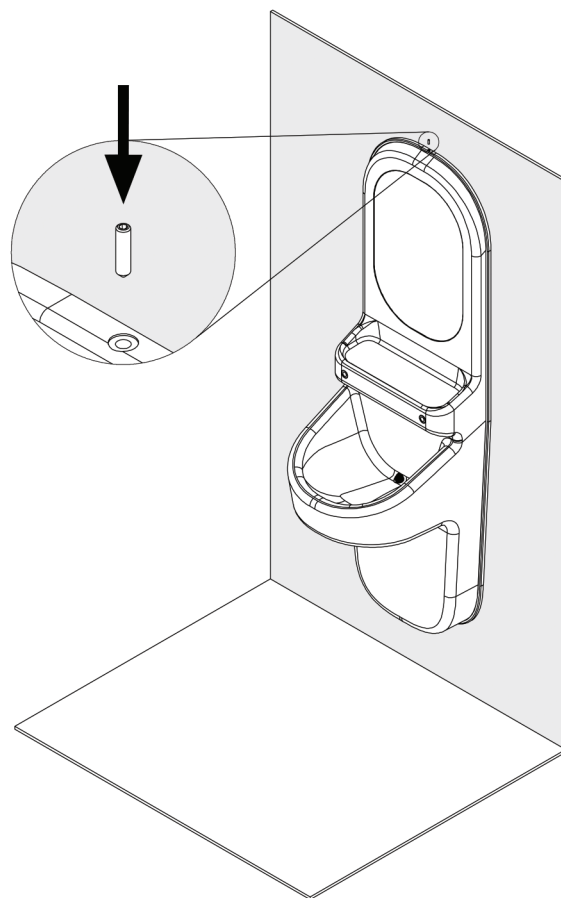
Bloccare il lavabo nelle quattro posizioni delle viti nascoste precedentemente indicate. Tutte e quattro le viti devono essere fissate saldamente.



18

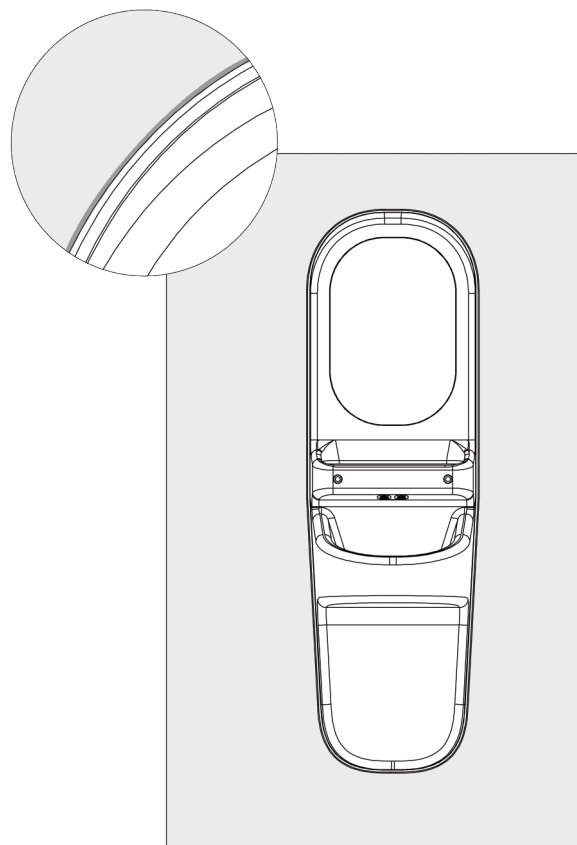
Utilizzare una chiave T40 a prova di manomissione per reinserire la vite a brugola nella parte superiore del lavabo come indicato nello schema.

AVVERTENZA -
Possibile rischio di legatura. La vite non deve sporgere dalla superficie del lavabo e deve essere completamente incassata.



19

Applicare sigillante anti-manomissione lungo i bordi, assicurandosi che non ci siano spazi tra la piastra posteriore e la parete.



PRIMO UTILIZZO

L'acqua viene erogata automaticamente quando l'utente avvicina le mani al sensore. Il ciclo di flusso predefinito in fabbrica dura otto secondi.

Nota: il sistema consente di interrompere il flusso d'acqua prima del tempo predefinito avvicinando nuovamente le mani al sensore.

Per regolare le impostazioni del flusso del lavabo, fare riferimento alle impostazioni del telecomando.

In caso di problemi durante l'installazione o la configurazione, contattare Pineapple.

GARANZIA

Garanzia di sette anni – Corpo del lavabo

Offriamo una garanzia di sette anni contro difetti di fabbricazione nei materiali e nella lavorazione del corpo del lavabo. Questa garanzia copre problemi derivanti dall'uso normale, a condizione che il prodotto sia installato, utilizzato e conservato correttamente secondo le istruzioni di cura fornite.

Garanzia di due anni – Componenti elettronici

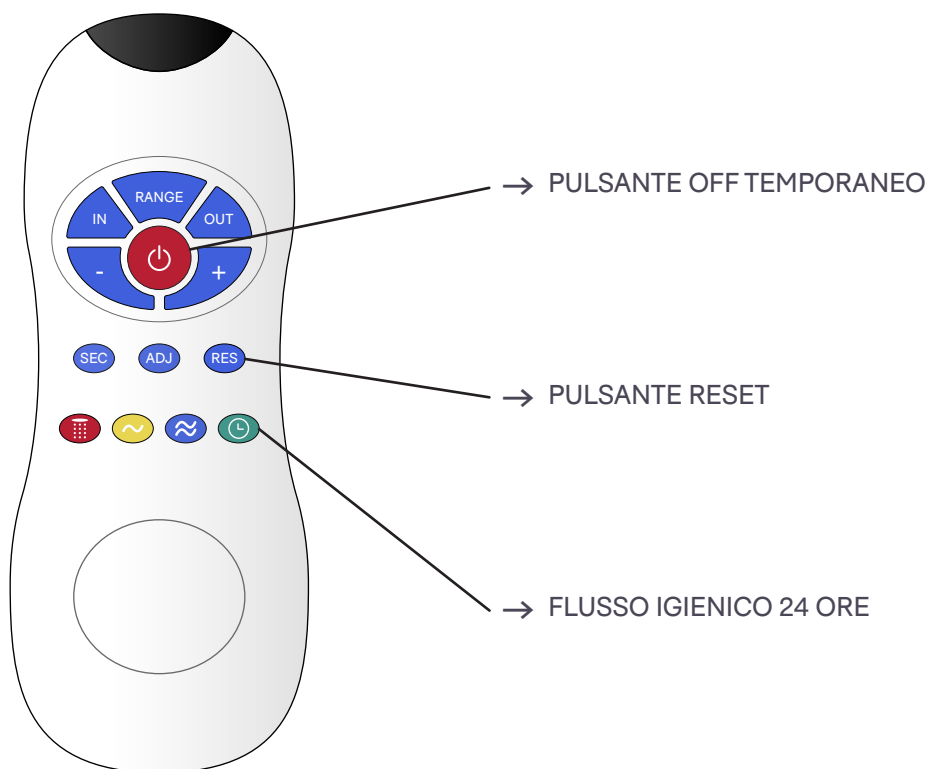
Tutti i componenti elettronici inclusi nel lavabo (ad esempio sensori, indicatori LED e unità di controllo) sono coperti da una garanzia di due anni contro difetti di fabbricazione a partire dalla data di acquisto.

Esclusioni e limitazioni

Questa garanzia non copre danni causati da installazione o manutenzione impropria, incidenti, uso improprio, abuso o negligenza, usura normale, graffi o danni superficiali dovuti a prodotti chimici per la pulizia o materiali abrasivi, modifiche o riparazioni effettuate da fornitori di servizi non autorizzati. Questa garanzia non è trasferibile e si applica solo all'acquirente originale.

ISTRUZIONI PER IL TELECOMANDO

Attraverso il telecomando è possibile accedere alle impostazioni personalizzate per una facile manutenzione.



→ FLUSSO IGIENICO 24 ORE

Questa funzione è ideale per massimizzare l'igiene e prevenire la Legionella e altre malattie. Aiuta inoltre a prevenire il congelamento dei tubi, mantenendo l'acqua in movimento ogni ventiquattrore. Per attivare o disattivare il flusso igienico, premere il pulsante con l'icona dell'orologio. Attendere fino a percepire un rapido lampeggio della luce rossa del sensore. Quindi premere + per attivare il flusso igienico o - per disattivarlo.



→ PULSANTE OFF TEMPORANEO

Questa funzione è ideale per svolgere qualsiasi attività in prossimità del sensore senza attivare il sistema (ad esempio per la pulizia). Rubinetti e valvole di scarico rimarranno chiusi per un minuto quando questo pulsante viene premuto una volta. Per annullare questa funzione e tornare al funzionamento normale, premere nuovamente il pulsante On/Off oppure attendere un minuto.



→ PULSANTE RESET

Questa funzione permette al sensore di tornare alle impostazioni originali di fabbrica.

ISTRUZIONI PER LA PULIZIA

→ Pulizia quotidiana

Per la pulizia di tutti i giorni, per rimuovere polvere, macchie leggere sporco quotidiano:
utilizzare acqua saponata, un detergente delicato o un prodotto a base di ammoniaca.

Soluzione di acqua saponata: mescolare una goccia di sapone per piatti in un litro di acqua calda.

Prodotti a base di ammoniaca: seguire sempre le istruzioni del produttore.
Applicare la soluzione con un panno in microfibra.
Questo aiuta a pulire a fondo senza graffiare la superficie o opacizzarne la finitura.



→ Rimozione delle macchie

Per macchie più ostinate, utilizzare i seguenti metodi in base al tipo di macchia.

Macchie grandi o persistenti:

1. Diluire dieci ml di candeggina in un litro di acqua.
2. Pulire la superficie con un panno in microfibra imbevuto nella soluzione di candeggina.
3. Procedere poi con un risciacquo utilizzando acqua calda e un panno in microfibra pulito.
4. Asciugare l'area con carta da cucina o un panno in microfibra.

Macchie generali:

Utilizzare una salvietta Clorox per pulire l'area interessata.

Macchie dovute al calore (ad esempio da piastre per capelli):

Per prevenire danni da calore, evitare di posare oggetti caldi direttamente sulla superficie.

Macchie di inchiostro o penna:

1. Applicare 5 ml di disinfettante per mani o alcol isopropilico sulla macchia.
2. Strofinare delicatamente con un panno in microfibra, quindi rimuovere la macchia con un fazzoletto.
3. Se necessario, completare con una pulizia con acqua saponata o soluzione a base di candeggina (a seconda delle dimensioni della macchia).

→ Pulizia profonda mensile:

La pulizia profonda è una buona pratica, consigliata una volta al mese per mantenere l'igiene e prevenire la formazione di odori:

1. Diluire dieci ml di candeggina in dieci litri di acqua.
2. Immergere un panno in microfibra nella soluzione e pulire l'intero lavabo, lasciando la superficie umida.
3. Lasciare agire la soluzione per dieci-quindici minuti.
4. Asciugare il lavabo con un panno pulito.
5. Lavare il lavabo con acqua calda saponata utilizzando una spugna da cucina.
6. Terminare asciugando il lavabo con un panno pulito e asciutto.

- Avvertenze importanti: cosa evitare

Non usare sostanze chimiche aggressive (es. acidi forti, basi forti, diluenti per vernici, solventi minerali) sulle superfici.
Evitare di versare solventi per unghie a base di acetone sui piani del lavabo.

Se tali sostanze entrano in contatto con la superficie:

1. Pulire immediatamente con acqua saponata e un panno.
2. Se rimangono residui, seguire le istruzioni per la rimozione delle macchie fornite sopra.
3. Completare asciugando l'intera superficie per assicurarsi che non rimangano tracce chimiche.



+44 (0)1622 237830

sales@pineapplecontracts.com

Pineapple